

## Installation Instructions



### Admiral

by designer Troels Bøgely

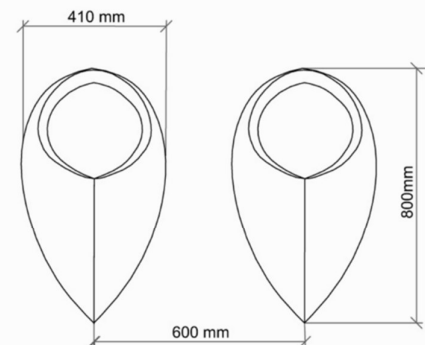
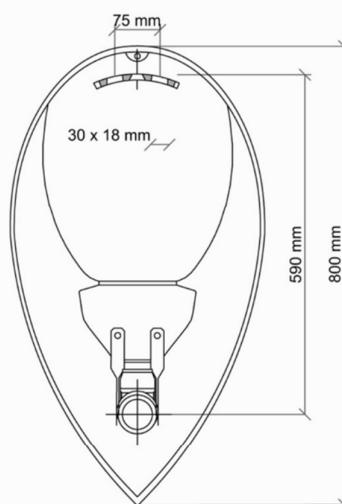
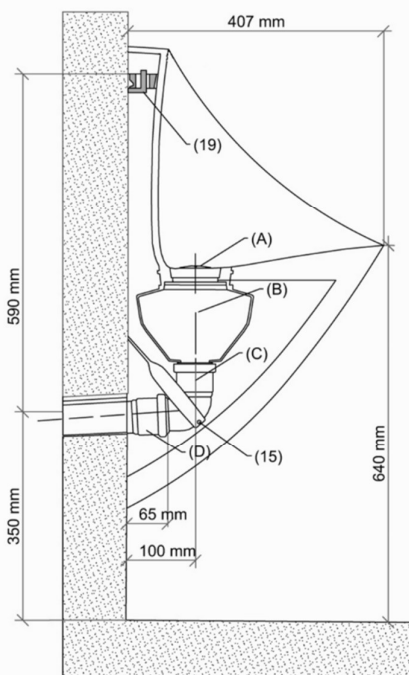
Model: KH-10  
Material: ceramic  
Installation: horizontal

**Installation of the uridan water free urinals is very simple.**

If you are retrofitting existing flushing urinals with uridan waterless urinals, please ensure that the sewer line is jetted and clean of uric scale before installation.

The uridan urinals work without water, and must be fitted to a 50mm waste pipe. Installation should be carried out by authorised plumbers in accordance with AZ/NZS3500.2. PLEASE NOTE: The undiluted discharge from a waterless urinal must not be transported through copper or copper alloy pipework.

1. Take the height from the centre of the waste pipe and mark the holes for both special screws No. (19). Drill holes and mount brackets.
2. Insert extension pipe (Position D) on the 87 ° bend (Position C). Keep the distance of 100 mm from the wall to the middle of the pipe.  
If necessary, shorten the extension pipe. Place 87 ° bend with extension pipe on the drainage pipe.
3. Adjust fitting No. (15), mark holes, drill holes and mount fitting No. (15).
4. Remove the 87 ° bend with the extension tube and place it on the waste trap.
5. Place the urinal with the pipe on the outlet pipe. Lift the urinal and push it on both special screws No. (19).  
**Please note:** There should be a gap of approx. 2 to 5 mm between the urinal and the wall, so tension cracks can be prevented.
6. Fill the waste trap (Position B) full with water.
7. Insert the stainless steel cover (Position A).
8. Pour 1 bottle uriLOCK ( 0.3 liter) over the cover.
9. Seal the gap between the wall and the urinal with silicone. **Please note:** Do not silicone the lower tip of the urinal!
10. The uridan urinal is now ready for use!



**Please leave customer care booklet, cleaning and maintenance instructions and suction device with customer.**