

## Installation Instructions



### Cadet

by designer Troels Bøgely

Model: GHC-10  
Material: glass reinforced plastic (GRP)  
Installation: horizontal

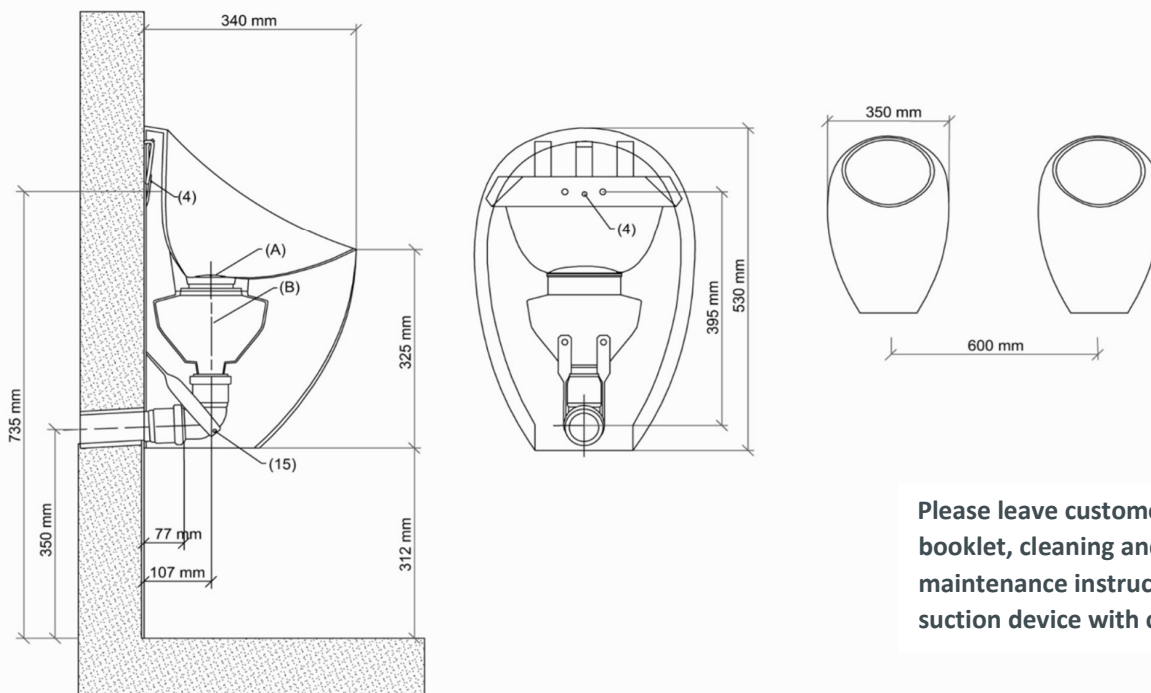
**Installation of the uridan water free urinals is very simple.**

If you are retrofitting existing flushing urinals with uridan waterless urinals, please ensure that the sewer line is jetted and clean of uric scale before installation.

The uridan urinals function without water, and must be fitted to a 50mm waste pipe. Installation should be carried out by authorized plumbers in accordance with AS/NZS3500.2.

**PLEASE NOTE:** The undiluted discharge from a waterless urinal must not be transported through copper or copper alloy pipework.

1. Take height from floor and mark holes using fitting No. 4 (the wall bracket). Drill holes and mount bracket (No. 4).
2. Install the 87° bend, keeping a distance of 107 mm from the wall to the middle of the pipe.
3. Adjust fitting No. (15), mark holes, drill holes and mount fitting No. (15).
4. Hold the urinal against the wall and push firmly onto fitting No. (4) – ensuring the pipe is connected firmly.
5. Fill the waste trap (Position B) full with water.
6. Insert the stainless steel cover (Position A).
7. Pour 1 bottle uriLOCK (0.3 litres) over the cover.
8. Seal the gap between the wall and the urinal with silicone.
9. The uridan urinal is now ready for use!



**Please leave customer care booklet, cleaning and maintenance instructions and suction device with customer.**