

Installation Instructions

Parts List |



2 x screws

Fitting Kit |



1 x uriLOCK 0



1 x uriCLEAN 0.5 L



1 x uriCLOTH



1 x Cover



1 x suction device

Note |

Installation of the uridan waterless urinal is very simple.

If you are retrofitting existing flushing urinals with uridan waterless urinals, please ensure that the sewer line is jetted and clean of uric scale before installation. Please also remove any existing s-trap to avoid double trapping the urinal.

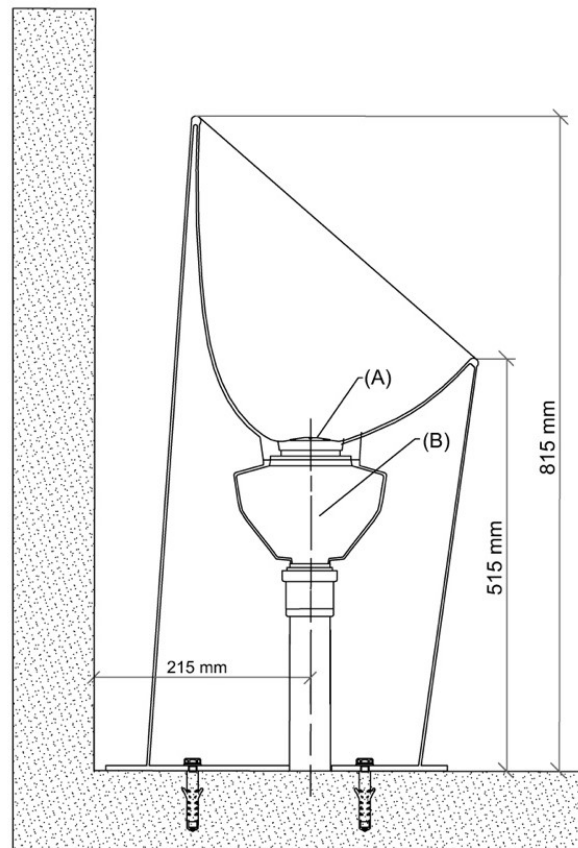
The uridan urinals work without water, and must be fitted to a 50mm waste pipe. Installation should be carried out by authorized plumbers in accordance with AZ/NZS3500.2.

PLEASE NOTE: The undiluted discharge from a waterless urinal must not be transported through copper or copper alloy pipework.

Installation Instructions

PYLON MIDI GVMDT-10

glass reinforced plastic (GRP) | vertical



Installation

1. Adjust the waste pipe.
2. Place the urinal above the waste pipe in the correct position, mark the holes on the floor and remove the urinal.
3. Drill holes and insert raw plugs.
4. Position the urinal with the adjusted waste pipe back in place and fix screws.
5. Fill the waste trap (Position B) with water.
6. Insert the stainless steel cover (Position A).
7. Pour 1 bottle uriLOCK (0.3 litre) over the cover.
8. Apply silicon sealant between the urinal and the floor.

The uridan-urinal is now ready for use!

Please leave customer care booklet, cleaning and maintenance instructions, cleaning spray, cleaning cloth and suction device with customer.