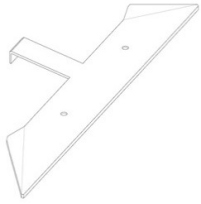


Installation Instructions

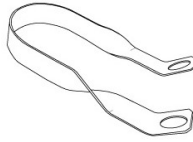
Parts List |



1 x fitting No.1



2 x screws fitting No. 1



1 x fitting No. 15



2 x screws fitting No. 15



1 x 87° bend & adapter

Fitting Kit |



1 x uriLOCK 0.3 L



1 x uriCLEAN 0.5 L



1 x uriCLOTH



1 x Cover



1 x suction device

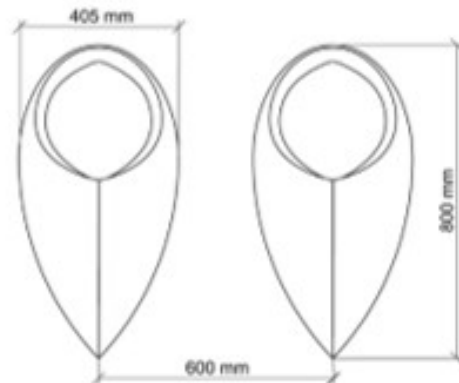
Note |

Installation of the uridan waterless urinal is very simple.

If you are retrofitting existing flushing urinals with uridan waterless urinals, please ensure that the sewer line is jetted and clean of uric scale before installation. Please also remove any existing s-trap to avoid double trapping the urinal.

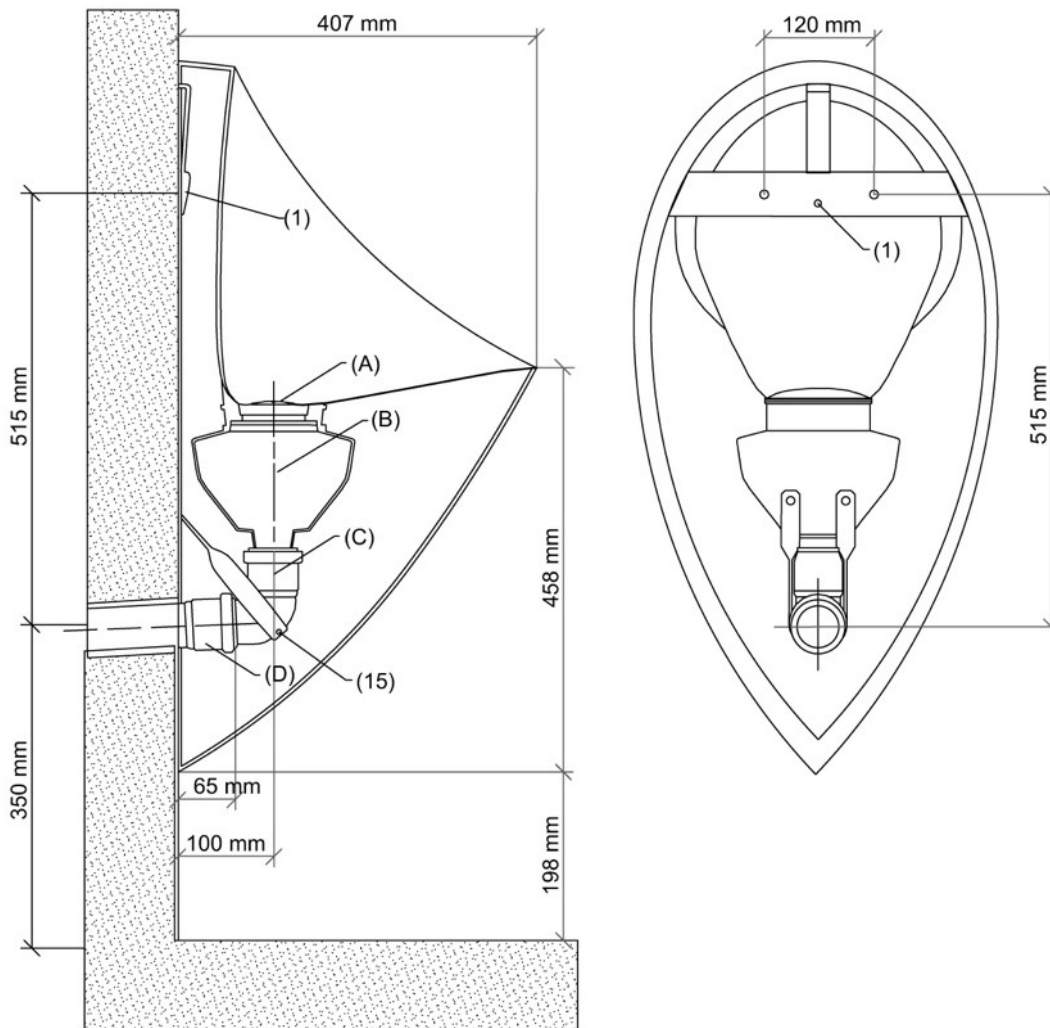
The uridan urinals work without water, and must be fitted to a 65mm waste pipe. Installation should be carried out by authorized plumbers in accordance with AS/NZS3500.1 and AS/NZS3500.2.

PLEASE NOTE: Refer AS/NZA 3500.2:2025 Clause 13.24.2.3 for installation limitations for undilated discharge from a urinal.



ADMIRAL GH-10

glass reinforced plastic (GRP) | horizontal waste



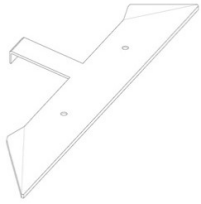
Installation

1. Mark holes for fitting No. (1) and install.
2. Insert extension pipe (Position D) on the 87 ° bend (Position C). Keep a distance of 100 mm from the wall to the middle of the pipe. If necessary shorten the extension pipe. Place the 87 ° bend with the extension pipe on the outlet pipe using the uridan adapter.
3. Adjust fitting No. (15), mark holes, drill holes and mount fitting No. (15).
4. Remove the 87 ° bend with the extension tube and place on the waste trap.
5. Place the urinal with the pipe on the outlet pipe. Lift the urinal and position on the fitting.
6. Fill the waste trap (Position B) with water.
7. Insert the stainless steel cover (Position A).
8. Pour 1 bottle uriLOCK (0.3 litre) over the cover.
9. Seal the gap between the wall and the urinal with silicone. Please Note: Do not put silicon on the lower tip of the urinal.

**Please leave customer care booklet, cleaning and maintenance instructions,
cleaning spray, cleaning cloth and suction device with customer.**

Installation Instructions

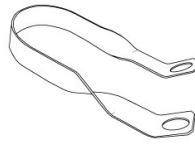
Parts List |



1 x fitting No.1



2 x screws fitting No. 1



1 x fitting No. 15



2 x screws fitting No. 15



1 x 87° bend & adapter

Fitting Kit |



1 x uriLOCK 0.3 L



1 x uriCLEAN 0.5 L



1 x uriCLOTH



1 x Cover



1 x suction device

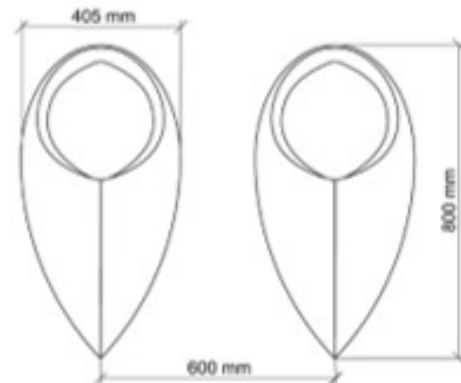
Note |

Installation of the uridan waterless urinal is very simple.

If you are retrofitting existing flushing urinals with uridan waterless urinals, please ensure that the sewer line is jetted and clean of uric scale before installation. Please also remove any existing s-trap to avoid double trapping the urinal.

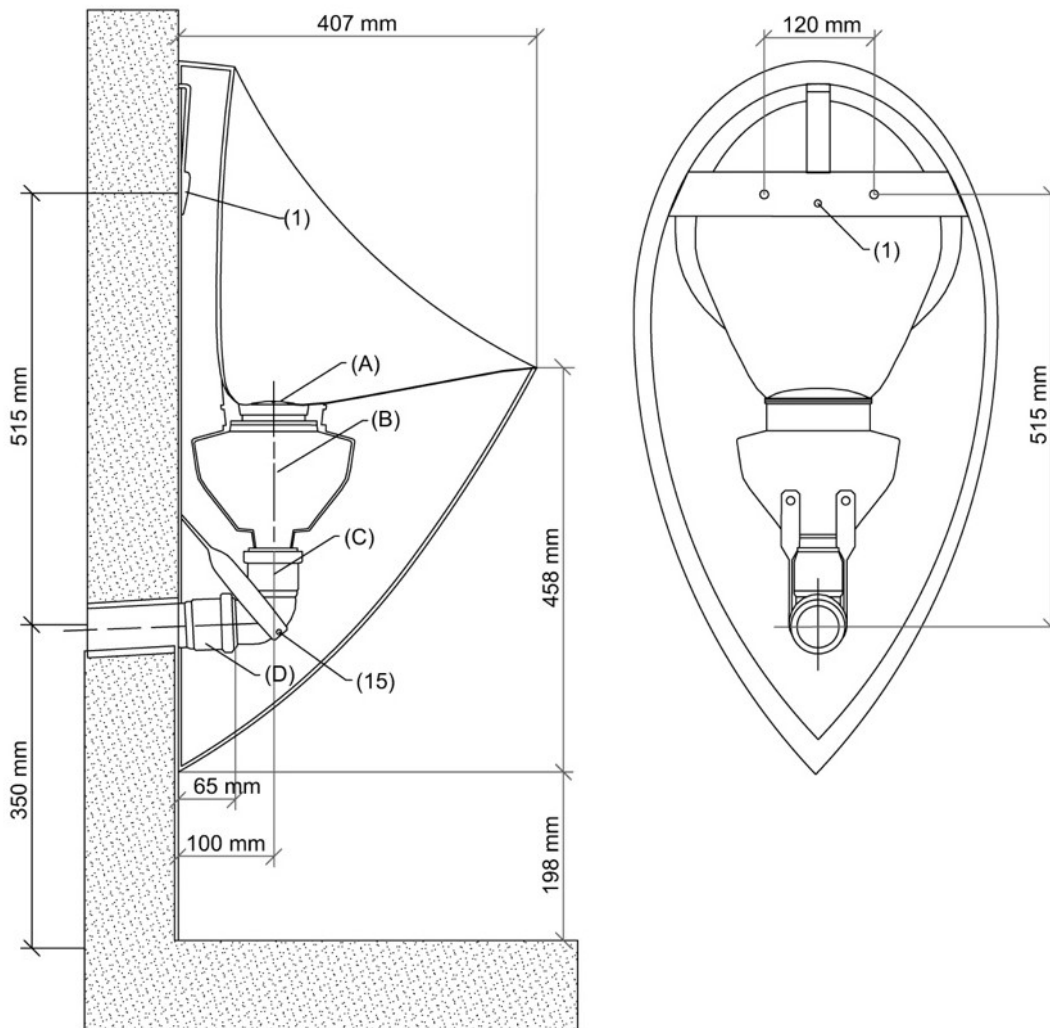
The uridan urinals work without water, and must be fitted to a 65mm waste pipe. Installation should be carried out by authorized plumbers in accordance with AS/NZS3500.1 and AS/NZS3500.2.

PLEASE NOTE: Refer AS/NZA 3500.2:2025 Clause 13.24.2.3 for installation limitations for undilated discharge from a urinal.



ADMIRAL GH-10

glass reinforced plastic (GRP) | horizontal waste



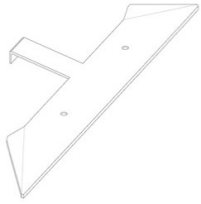
Installation

1. Mark holes for fitting No. (1) and install.
2. Insert extension pipe (Position D) on the 87 ° bend (Position C). Keep a distance of 100 mm from the wall to the middle of the pipe. If necessary shorten the extension pipe. Place the 87 ° bend with the extension pipe on the outlet pipe using the uridan adapter.
3. Adjust fitting No. (15), mark holes, drill holes and mount fitting No. (15).
4. Remove the 87 ° bend with the extension tube and place on the waste trap.
5. Place the urinal with the pipe on the outlet pipe. Lift the urinal and position on the fitting.
6. Fill the waste trap (Position B) with water.
7. Insert the stainless steel cover (Position A).
8. Pour 1 bottle uriLOCK (0.3 litre) over the cover.
9. Seal the gap between the wall and the urinal with silicone. Please Note: Do not put silicon on the lower tip of the urinal.

Please leave customer care booklet, cleaning and maintenance instructions, cleaning spray, cleaning cloth and suction device with customer.

Installation Instructions

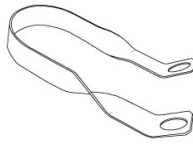
Parts List |



1 x fitting No.1



2 x screws fitting No. 1



1 x fitting No. 15



2 x screws fitting No. 15



1 x 87° bend & adapter

Fitting Kit |



1 x uriLOCK 0.3 L



1 x uriCLEAN 0.5 L



1 x uricLOTH



1 x Cover



1 x suction device

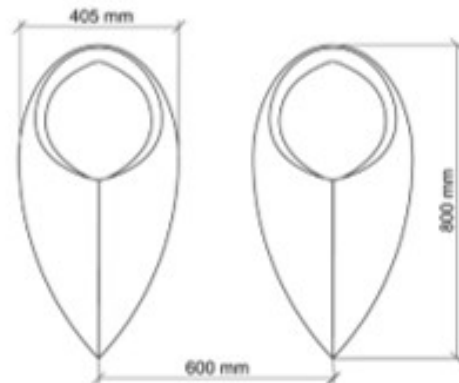
Note |

Installation of the uridan waterless urinal is very simple.

If you are retrofitting existing flushing urinals with uridan waterless urinals, please ensure that the sewer line is jetted and clean of uric scale before installation. Please also remove any existing s-trap to avoid double trapping the urinal.

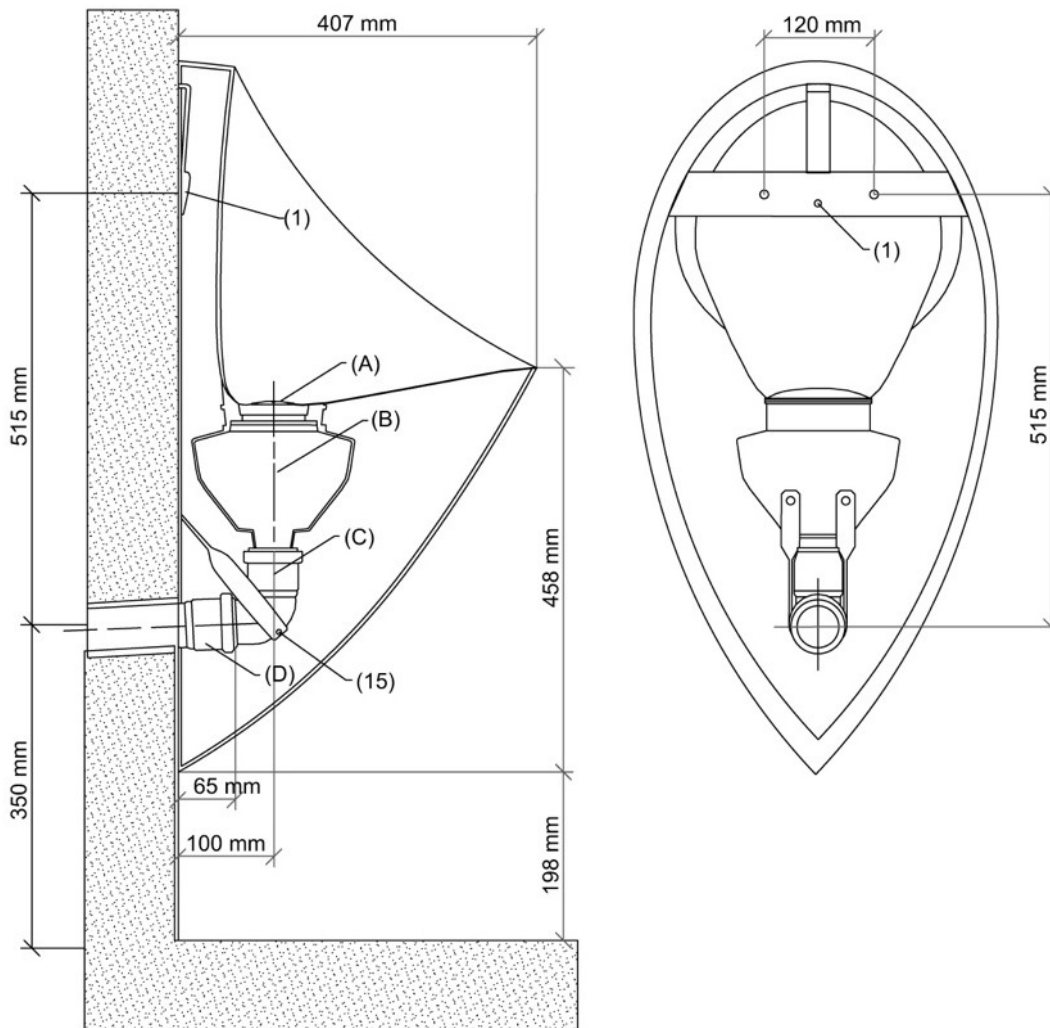
The uridan urinals work without water, and must be fitted to a 65mm waste pipe. Installation should be carried out by authorized plumbers in accordance with AS/NZS3500.1 and AS/NZS3500.2.

PLEASE NOTE: Refer AS/NZA 3500.2:2025 Clause 13.24.2.3 for installation limitations for undilated discharge from a urinal.



ADMIRAL GH-10

glass reinforced plastic (GRP) | horizontal waste



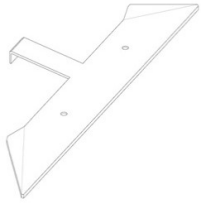
Installation

1. Mark holes for fitting No. (1) and install.
2. Insert extension pipe (Position D) on the 87 ° bend (Position C). Keep a distance of 100 mm from the wall to the middle of the pipe. If necessary shorten the extension pipe. Place the 87 ° bend with the extension pipe on the outlet pipe using the uridan adapter.
3. Adjust fitting No. (15), mark holes, drill holes and mount fitting No. (15).
4. Remove the 87 ° bend with the extension tube and place on the waste trap.
5. Place the urinal with the pipe on the outlet pipe. Lift the urinal and position on the fitting.
6. Fill the waste trap (Position B) with water.
7. Insert the stainless steel cover (Position A).
8. Pour 1 bottle uriLOCK (0.3 litre) over the cover.
9. Seal the gap between the wall and the urinal with silicone. Please Note: Do not put silicon on the lower tip of the urinal.

Please leave customer care booklet, cleaning and maintenance instructions, cleaning spray, cleaning cloth and suction device with customer.

Installation Instructions

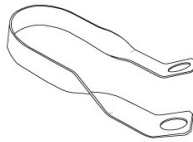
Parts List |



1 x fitting No.1



2 x screws fitting No. 1



1 x fitting No. 15



2 x screws fitting No. 15



1 x 87° bend & adapter

Fitting Kit |



1 x uriLOCK 0.3 L



1 x uriCLEAN 0.5 L



1 x uriCLOTH



1 x Cover



1 x suction device

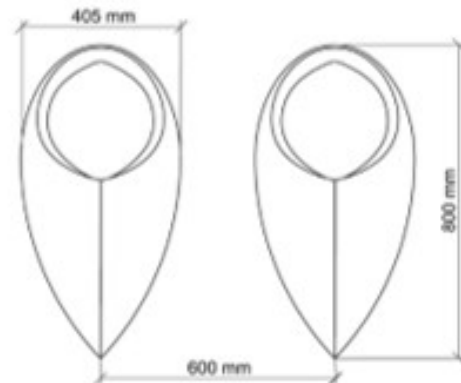
Note |

Installation of the uridan waterless urinal is very simple.

If you are retrofitting existing flushing urinals with uridan waterless urinals, please ensure that the sewer line is jetted and clean of uric scale before installation. Please also remove any existing s-trap to avoid double trapping the urinal.

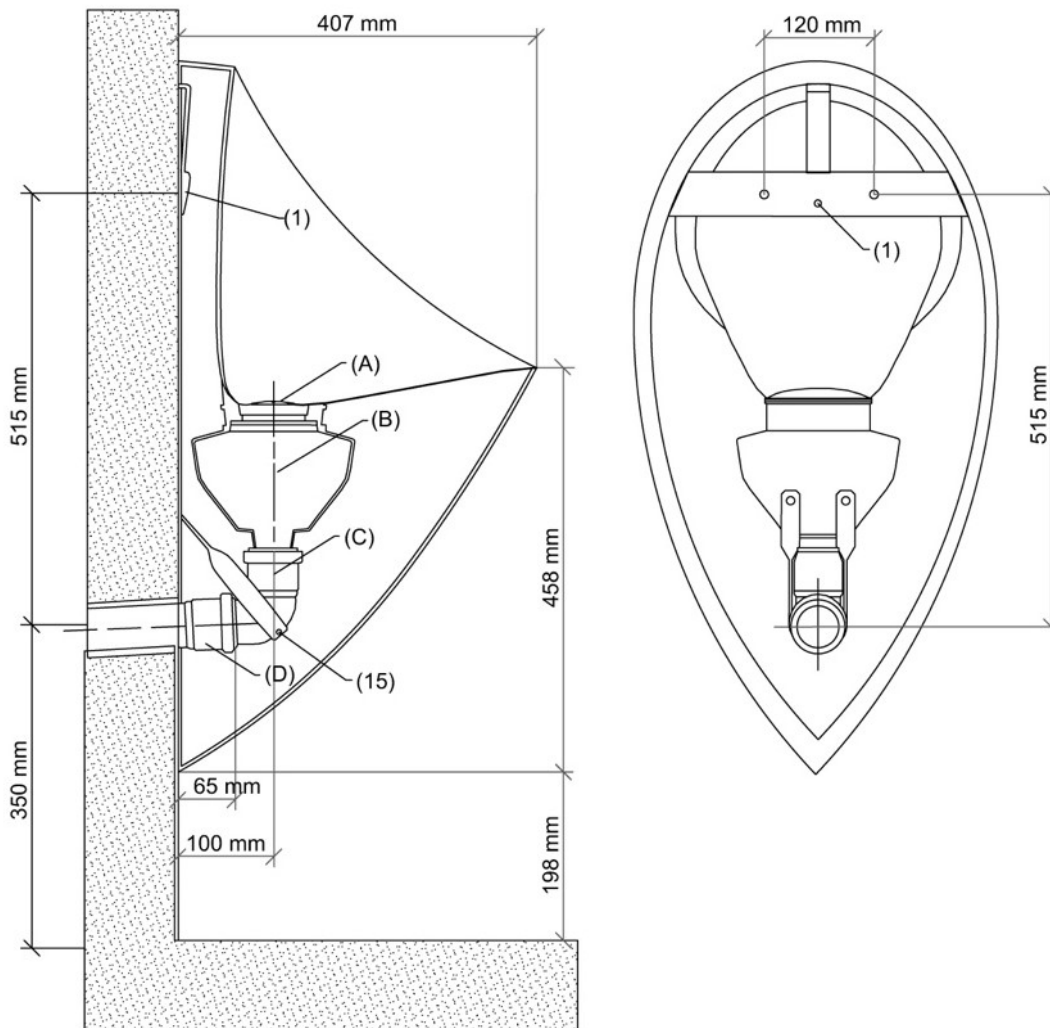
The uridan urinals work without water, and must be fitted to a 65mm waste pipe. Installation should be carried out by authorized plumbers in accordance with AS/NZS3500.1 and AS/NZS3500.2.

PLEASE NOTE: Refer AS/NZA 3500.2:2025 Clause 13.24.2.3 for installation limitations for undilated discharge from a urinal.



ADMIRAL GH-10

glass reinforced plastic (GRP) | horizontal waste



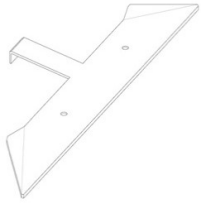
Installation

1. Mark holes for fitting No. (1) and install.
2. Insert extension pipe (Position D) on the 87 ° bend (Position C). Keep a distance of 100 mm from the wall to the middle of the pipe. If necessary shorten the extension pipe. Place the 87 ° bend with the extension pipe on the outlet pipe using the uridan adapter.
3. Adjust fitting No. (15), mark holes, drill holes and mount fitting No. (15).
4. Remove the 87 ° bend with the extension tube and place on the waste trap.
5. Place the urinal with the pipe on the outlet pipe. Lift the urinal and position on the fitting.
6. Fill the waste trap (Position B) with water.
7. Insert the stainless steel cover (Position A).
8. Pour 1 bottle uriLOCK (0.3 litre) over the cover.
9. Seal the gap between the wall and the urinal with silicone. Please Note: Do not put silicon on the lower tip of the urinal.

**Please leave customer care booklet, cleaning and maintenance instructions,
cleaning spray, cleaning cloth and suction device with customer.**

Installation Instructions

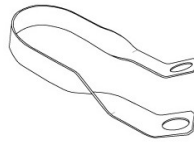
Parts List |



1 x fitting No.1



2 x screws fitting No. 1



1 x fitting No. 15



2 x screws fitting No. 15



1 x 87° bend & adapter

Fitting Kit |



1 x uriLOCK 0.3 L



1 x uriCLEAN 0.5 L



1 x uriCLOTH



1 x Cover



1 x suction device

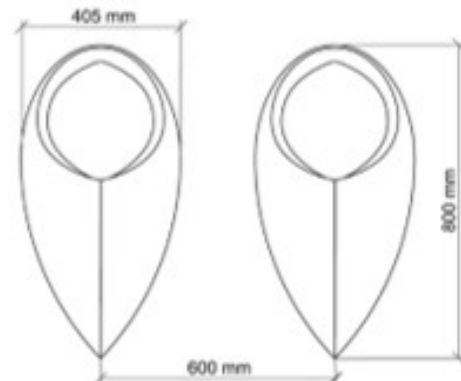
Note |

Installation of the uridan waterless urinal is very simple.

If you are retrofitting existing flushing urinals with uridan waterless urinals, please ensure that the sewer line is jetted and clean of uric scale before installation. Please also remove any existing s-trap to avoid double trapping the urinal.

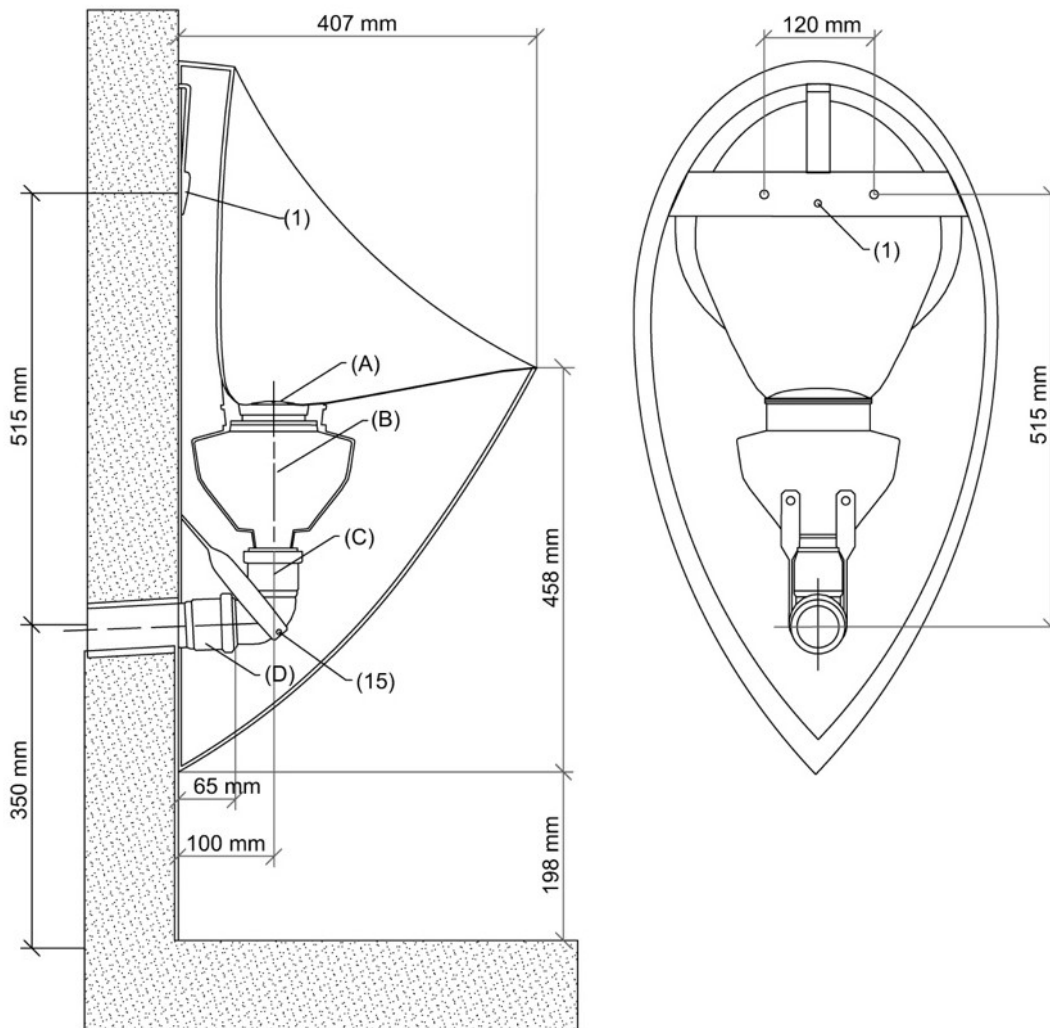
The uridan urinals work without water, and must be fitted to a 65mm waste pipe. Installation should be carried out by authorized plumbers in accordance with AS/NZS3500.1 and AS/NZS3500.2.

PLEASE NOTE: Refer AS/NZA 3500.2:2025 Clause 13.24.2.3 for installation limitations for undilated discharge from a urinal.



ADMIRAL GH-10

glass reinforced plastic (GRP) | horizontal waste



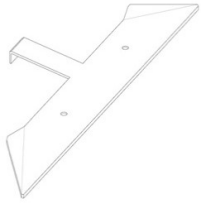
Installation

1. Mark holes for fitting No. (1) and install.
2. Insert extension pipe (Position D) on the 87 ° bend (Position C). Keep a distance of 100 mm from the wall to the middle of the pipe. If necessary shorten the extension pipe. Place the 87 ° bend with the extension pipe on the outlet pipe using the uridan adapter.
3. Adjust fitting No. (15), mark holes, drill holes and mount fitting No. (15).
4. Remove the 87 ° bend with the extension tube and place on the waste trap.
5. Place the urinal with the pipe on the outlet pipe. Lift the urinal and position on the fitting.
6. Fill the waste trap (Position B) with water.
7. Insert the stainless steel cover (Position A).
8. Pour 1 bottle uriLOCK (0.3 litre) over the cover.
9. Seal the gap between the wall and the urinal with silicone. Please Note: Do not put silicon on the lower tip of the urinal.

Please leave customer care booklet, cleaning and maintenance instructions, cleaning spray, cleaning cloth and suction device with customer.

Installation Instructions

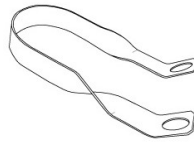
Parts List |



1 x fitting No.1



2 x screws fitting No. 1



1 x fitting No. 15



2 x screws fitting No. 15



1 x 87° bend & adapter

Fitting Kit |



1 x uriLOCK 0.3 L



1 x uriCLEAN 0.5 L



1 x uriCLOTH



1 x Cover



1 x suction device

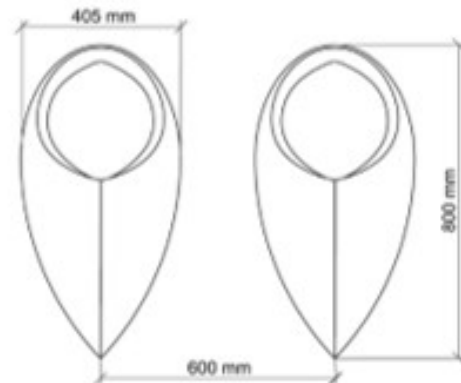
Note |

Installation of the uridan waterless urinal is very simple.

If you are retrofitting existing flushing urinals with uridan waterless urinals, please ensure that the sewer line is jetted and clean of uric scale before installation. Please also remove any existing s-trap to avoid double trapping the urinal.

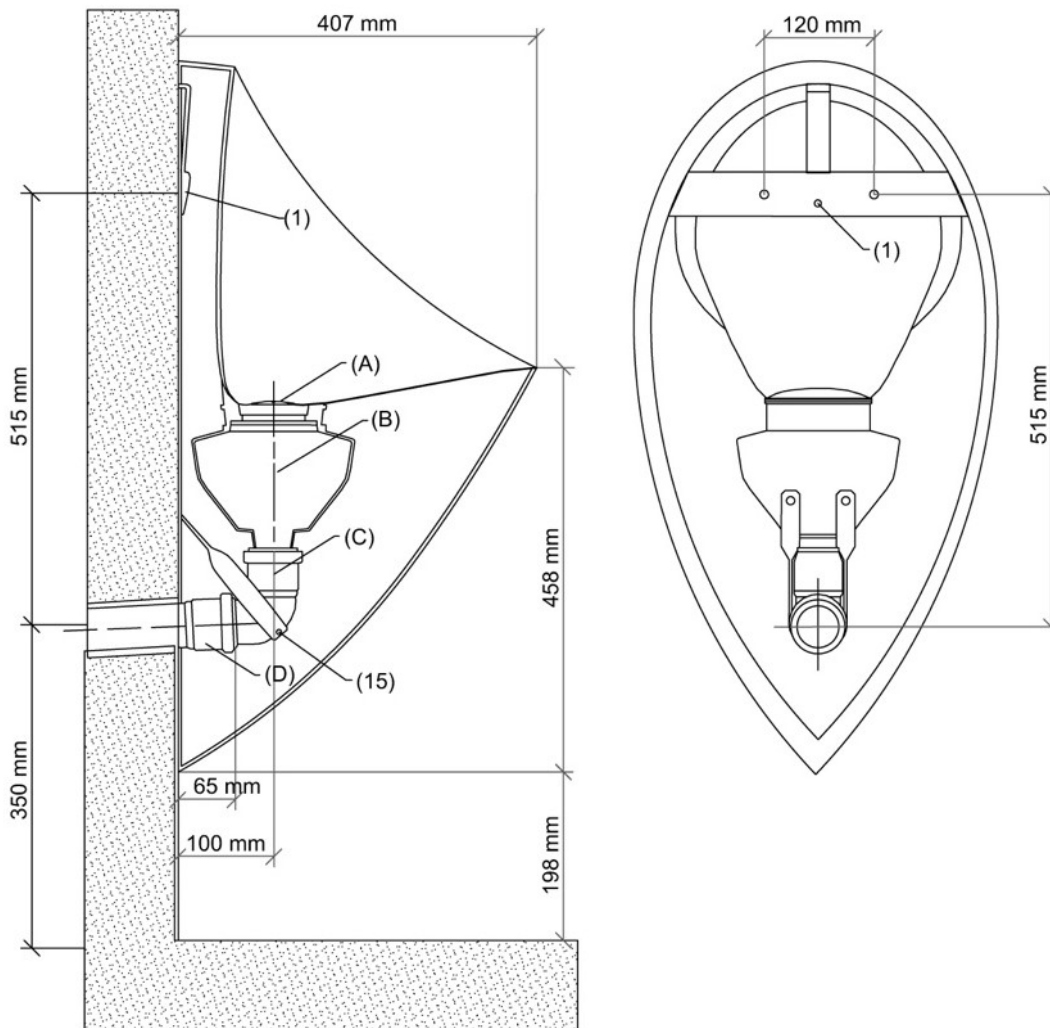
The uridan urinals work without water, and must be fitted to a 65mm waste pipe. Installation should be carried out by authorized plumbers in accordance with AS/NZS3500.1 and AS/NZS3500.2.

PLEASE NOTE: Refer AS/NZA 3500.2:2025 Clause 13.24.2.3 for installation limitations for undilated discharge from a urinal.



ADMIRAL GH-10

glass reinforced plastic (GRP) | horizontal waste



Installation

1. Mark holes for fitting No. (1) and install.
2. Insert extension pipe (Position D) on the 87 ° bend (Position C). Keep a distance of 100 mm from the wall to the middle of the pipe. If necessary shorten the extension pipe. Place the 87 ° bend with the extension pipe on the outlet pipe using the uridan adapter.
3. Adjust fitting No. (15), mark holes, drill holes and mount fitting No. (15).
4. Remove the 87 ° bend with the extension tube and place on the waste trap.
5. Place the urinal with the pipe on the outlet pipe. Lift the urinal and position on the fitting.
6. Fill the waste trap (Position B) with water.
7. Insert the stainless steel cover (Position A).
8. Pour 1 bottle uriLOCK (0.3 litre) over the cover.
9. Seal the gap between the wall and the urinal with silicone. Please Note: Do not put silicon on the lower tip of the urinal.

Please leave customer care booklet, cleaning and maintenance instructions, cleaning spray, cleaning cloth and suction device with customer.

Installation Instructions

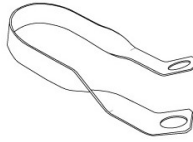
Parts List |



1 x fitting No.1



2 x screws fitting No. 1



1 x fitting No. 15



2 x screws fitting No. 15



1 x 87° bend & adapter

Fitting Kit |



1 x uriLOCK 0.3 L



1 x uriCLEAN 0.5 L



1 x uriCLOTH



1 x Cover



1 x suction device

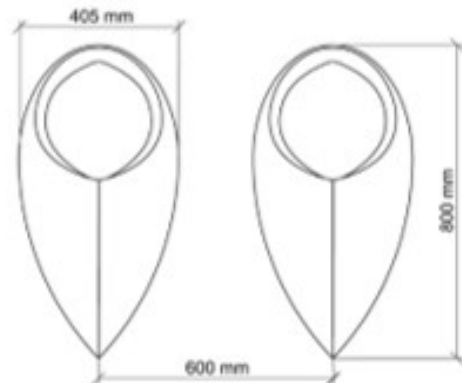
Note |

Installation of the uridan waterless urinal is very simple.

If you are retrofitting existing flushing urinals with uridan waterless urinals, please ensure that the sewer line is jetted and clean of uric scale before installation. Please also remove any existing s-trap to avoid double trapping the urinal.

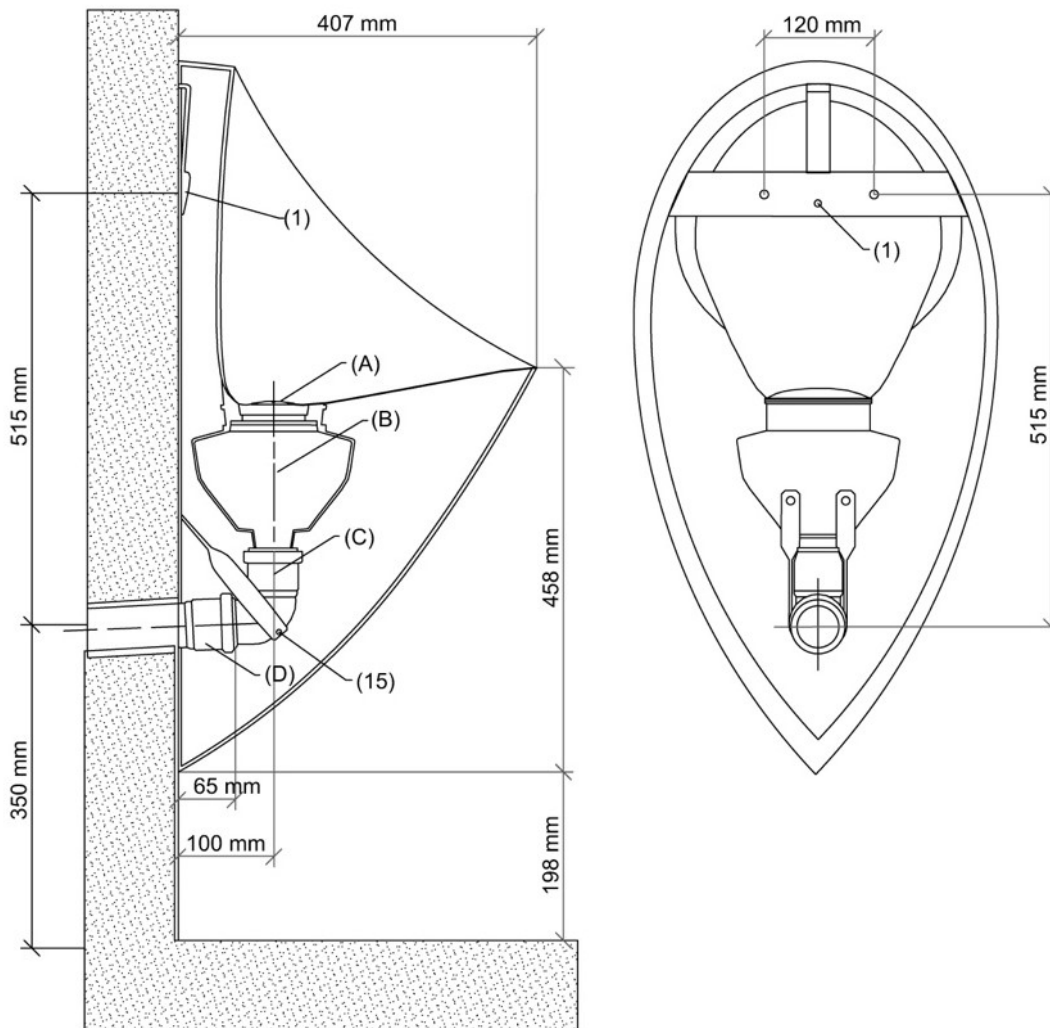
The uridan urinals work without water, and must be fitted to a 65mm waste pipe. Installation should be carried out by authorized plumbers in accordance with AS/NZS3500.1 and AS/NZS3500.2.

PLEASE NOTE: Refer AS/NZA 3500.2:2025 Clause 13.24.2.3 for installation limitations for undilated discharge from a urinal.



ADMIRAL GH-10

glass reinforced plastic (GRP) | horizontal waste



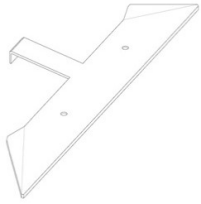
Installation

1. Mark holes for fitting No. (1) and install.
2. Insert extension pipe (Position D) on the 87 ° bend (Position C). Keep a distance of 100 mm from the wall to the middle of the pipe. If necessary shorten the extension pipe. Place the 87 ° bend with the extension pipe on the outlet pipe using the uridan adapter.
3. Adjust fitting No. (15), mark holes, drill holes and mount fitting No. (15).
4. Remove the 87 ° bend with the extension tube and place on the waste trap.
5. Place the urinal with the pipe on the outlet pipe. Lift the urinal and position on the fitting.
6. Fill the waste trap (Position B) with water.
7. Insert the stainless steel cover (Position A).
8. Pour 1 bottle uriLOCK (0.3 litre) over the cover.
9. Seal the gap between the wall and the urinal with silicone. Please Note: Do not put silicon on the lower tip of the urinal.

Please leave customer care booklet, cleaning and maintenance instructions, cleaning spray, cleaning cloth and suction device with customer.

Installation Instructions

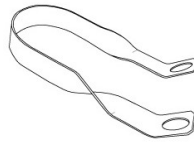
Parts List |



1 x fitting No.1



2 x screws fitting No. 1



1 x fitting No. 15



2 x screws fitting No. 15



1 x 87° bend & adapter

Fitting Kit |



1 x uriLOCK 0.3 L



1 x uriCLEAN 0.5 L



1 x uriCLOTH



1 x Cover



1 x suction device

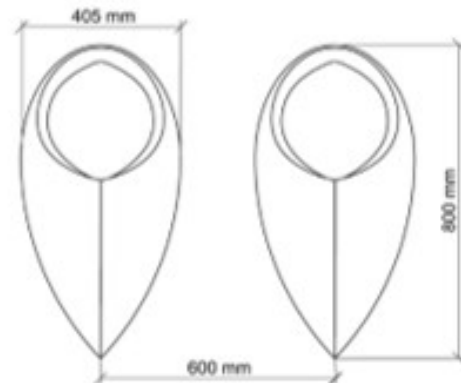
Note |

Installation of the uridan waterless urinal is very simple.

If you are retrofitting existing flushing urinals with uridan waterless urinals, please ensure that the sewer line is jetted and clean of uric scale before installation. Please also remove any existing s-trap to avoid double trapping the urinal.

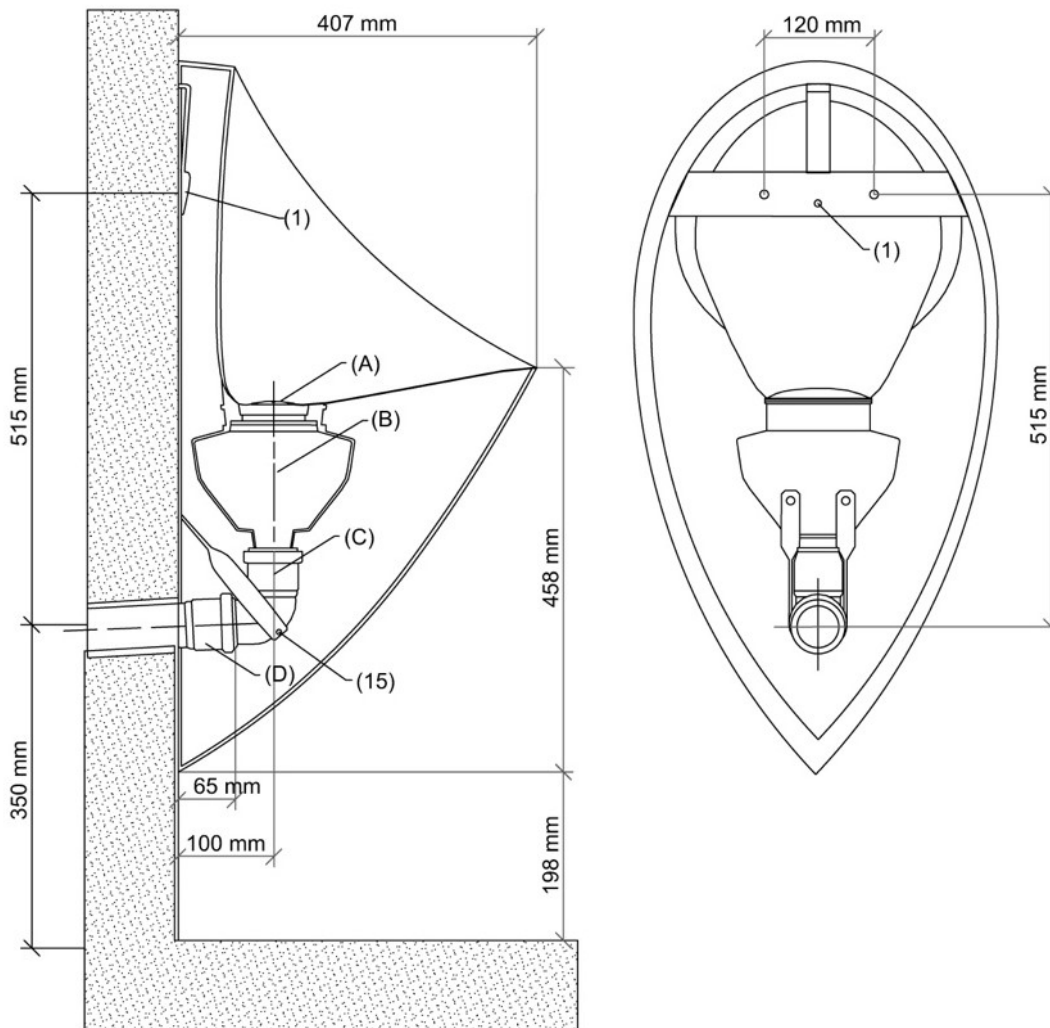
The uridan urinals work without water, and must be fitted to a 65mm waste pipe. Installation should be carried out by authorized plumbers in accordance with AS/NZS3500.1 and AS/NZS3500.2.

PLEASE NOTE: Refer AS/NZA 3500.2:2025 Clause 13.24.2.3 for installation limitations for undilated discharge from a urinal.



ADMIRAL GH-10

glass reinforced plastic (GRP) | horizontal waste



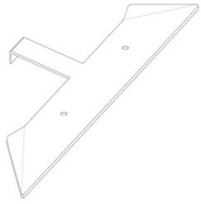
Installation

1. Mark holes for fitting No. (1) and install.
2. Insert extension pipe (Position D) on the 87 ° bend (Position C). Keep a distance of 100 mm from the wall to the middle of the pipe. If necessary shorten the extension pipe. Place the 87 ° bend with the extension pipe on the outlet pipe using the uridan adapter.
3. Adjust fitting No. (15), mark holes, drill holes and mount fitting No. (15).
4. Remove the 87 ° bend with the extension tube and place on the waste trap.
5. Place the urinal with the pipe on the outlet pipe. Lift the urinal and position on the fitting.
6. Fill the waste trap (Position B) with water.
7. Insert the stainless steel cover (Position A).
8. Pour 1 bottle uriLOCK (0.3 litre) over the cover.
9. Seal the gap between the wall and the urinal with silicone. Please Note: Do not put silicon on the lower tip of the urinal.

Please leave customer care booklet, cleaning and maintenance instructions, cleaning spray, cleaning cloth and suction device with customer.

Installation Instructions

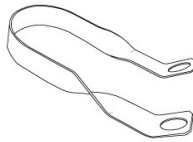
Parts List |



1 x fitting No.1



2 x screws fitting No. 1



1 x fitting No. 15



2 x screws fitting No. 15



1 x 87° bend & adapter

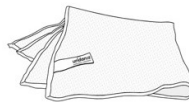
Fitting Kit |



1 x uriLOCK 0.3 L



1 x uriCLEAN 0.5 L



1 x uricLOTH



1 x Cover



1 x suction device

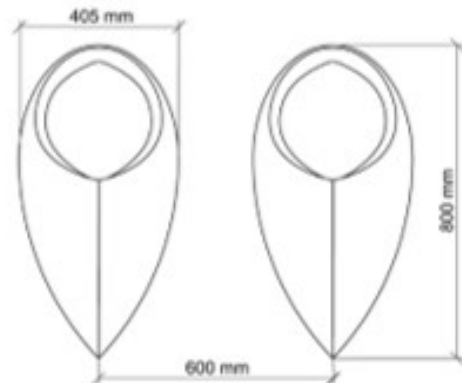
Note |

Installation of the uridan waterless urinal is very simple.

If you are retrofitting existing flushing urinals with uridan waterless urinals, please ensure that the sewer line is jetted and clean of uric scale before installation. Please also remove any existing s-trap to avoid double trapping the urinal.

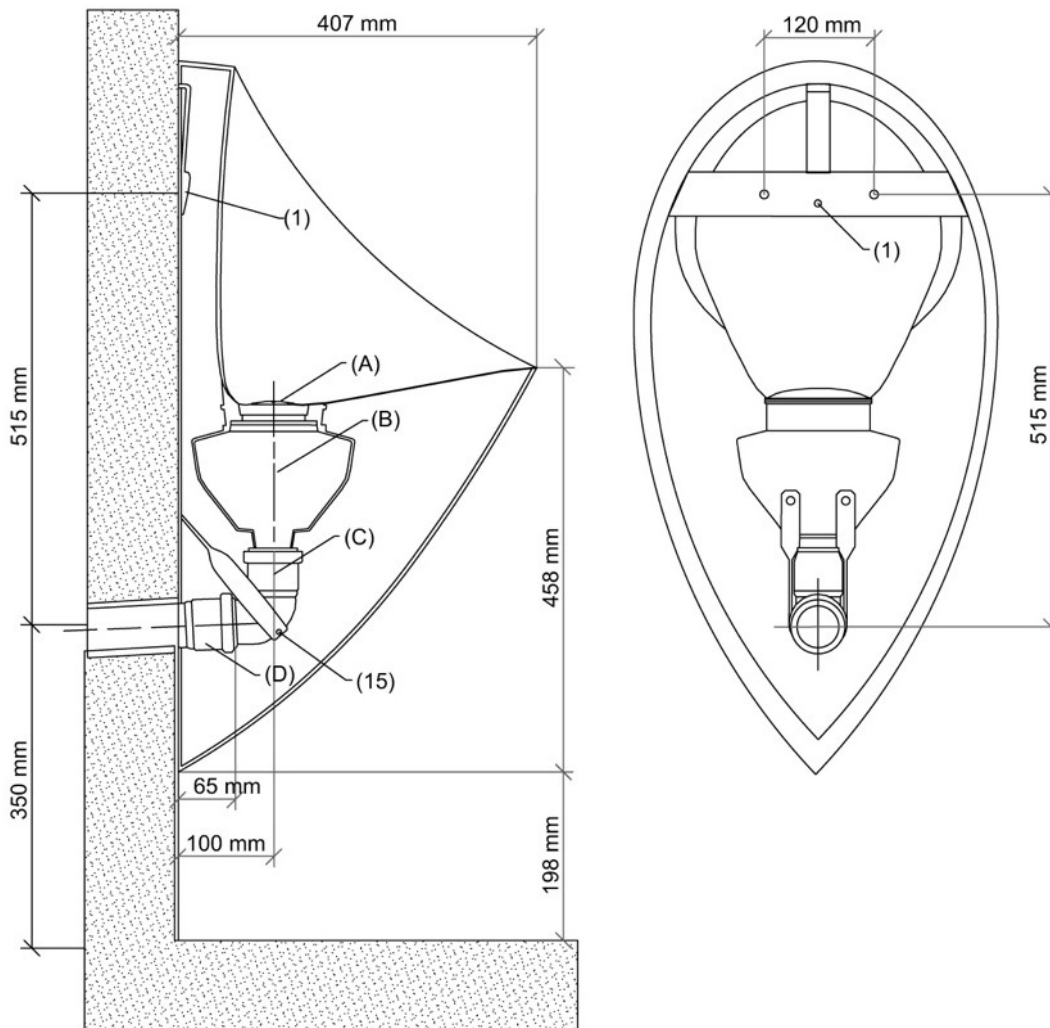
The uridan urinals work without water, and must be fitted to a 65mm waste pipe. Installation should be carried out by authorized plumbers in accordance with AS/NZS3500.1 and AS/NZS3500.2.

PLEASE NOTE: Refer AS/NZA 3500.2:2025 Clause 13.24.2.3 for installation limitations for undilated discharge from a urinal.



ADMIRAL GH-10

glass reinforced plastic (GRP) | horizontal waste



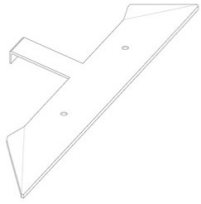
Installation

1. Mark holes for fitting No. (1) and install.
2. Insert extension pipe (Position D) on the 87 ° bend (Position C). Keep a distance of 100 mm from the wall to the middle of the pipe. If necessary shorten the extension pipe. Place the 87 ° bend with the extension pipe on the outlet pipe using the uridan adapter.
3. Adjust fitting No. (15), mark holes, drill holes and mount fitting No. (15).
4. Remove the 87 ° bend with the extension tube and place on the waste trap.
5. Place the urinal with the pipe on the outlet pipe. Lift the urinal and position on the fitting.
6. Fill the waste trap (Position B) with water.
7. Insert the stainless steel cover (Position A).
8. Pour 1 bottle uriLOCK (0.3 litre) over the cover.
9. Seal the gap between the wall and the urinal with silicone. Please Note: Do not put silicon on the lower tip of the urinal.

Please leave customer care booklet, cleaning and maintenance instructions, cleaning spray, cleaning cloth and suction device with customer.

Installation Instructions

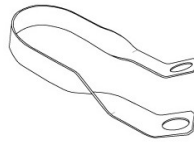
Parts List |



1 x fitting No.1



2 x screws fitting No. 1



1 x fitting No. 15



2 x screws fitting No. 15



1 x 87° bend & adapter

Fitting Kit |



1 x uriLOCK 0.3 L



1 x uriCLEAN 0.5 L



1 x uriCLOTH



1 x Cover



1 x suction device

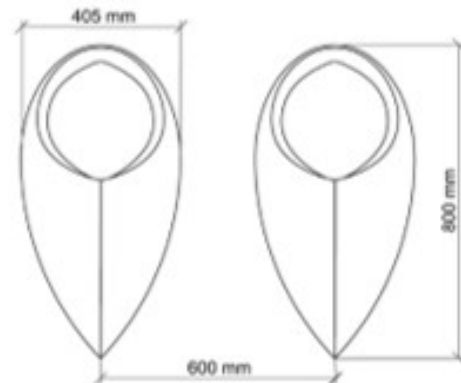
Note |

Installation of the uridan waterless urinal is very simple.

If you are retrofitting existing flushing urinals with uridan waterless urinals, please ensure that the sewer line is jetted and clean of uric scale before installation. Please also remove any existing s-trap to avoid double trapping the urinal.

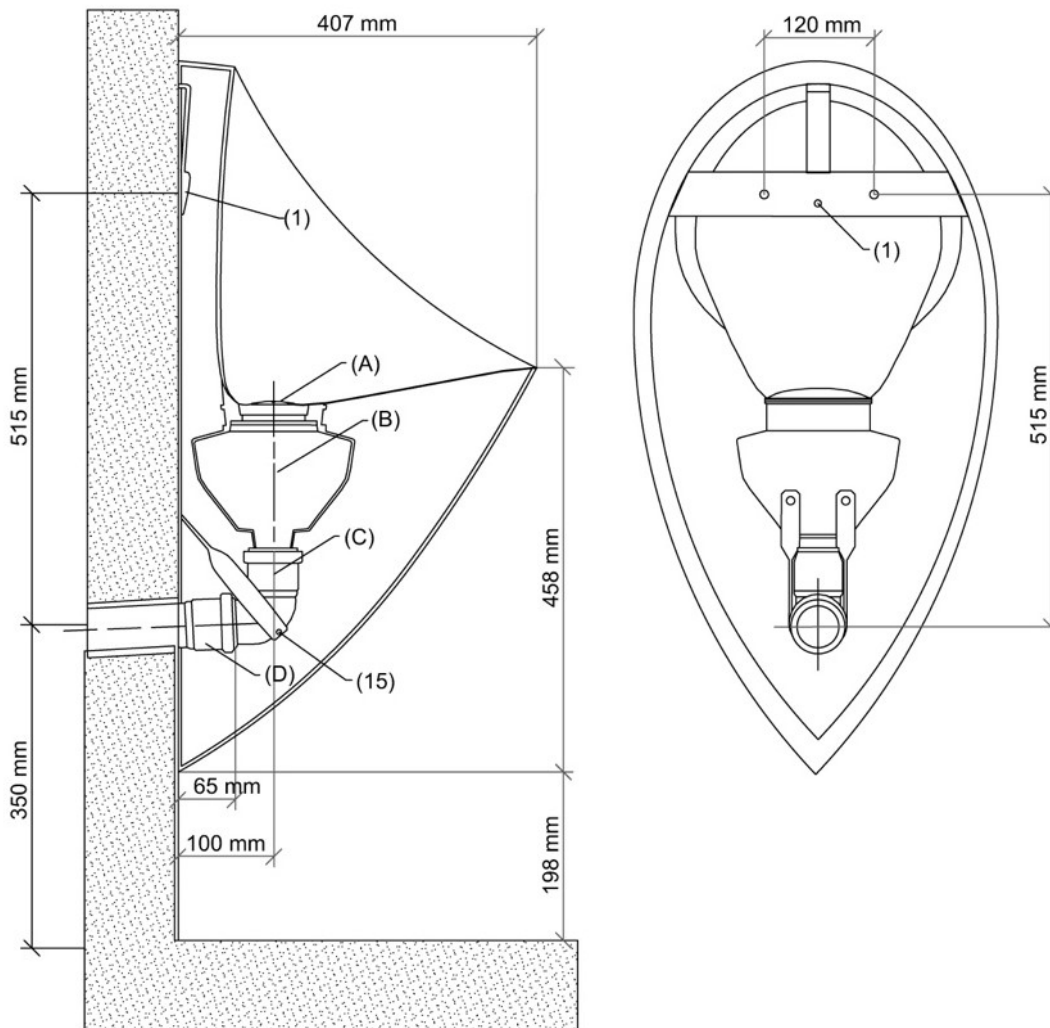
The uridan urinals work without water, and must be fitted to a 65mm waste pipe. Installation should be carried out by authorized plumbers in accordance with AS/NZS3500.1 and AS/NZS3500.2.

PLEASE NOTE: Refer AS/NZA 3500.2:2025 Clause 13.24.2.3 for installation limitations for undilated discharge from a urinal.



ADMIRAL GH-10

glass reinforced plastic (GRP) | horizontal waste



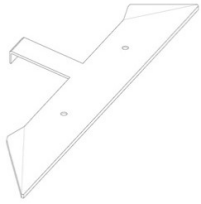
Installation

1. Mark holes for fitting No. (1) and install.
2. Insert extension pipe (Position D) on the 87 ° bend (Position C). Keep a distance of 100 mm from the wall to the middle of the pipe. If necessary shorten the extension pipe. Place the 87 ° bend with the extension pipe on the outlet pipe using the uridan adapter.
3. Adjust fitting No. (15), mark holes, drill holes and mount fitting No. (15).
4. Remove the 87 ° bend with the extension tube and place on the waste trap.
5. Place the urinal with the pipe on the outlet pipe. Lift the urinal and position on the fitting.
6. Fill the waste trap (Position B) with water.
7. Insert the stainless steel cover (Position A).
8. Pour 1 bottle uriLOCK (0.3 litre) over the cover.
9. Seal the gap between the wall and the urinal with silicone. Please Note: Do not put silicon on the lower tip of the urinal.

Please leave customer care booklet, cleaning and maintenance instructions, cleaning spray, cleaning cloth and suction device with customer.

Installation Instructions

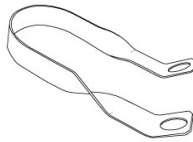
Parts List |



1 x fitting No.1



2 x screws fitting No. 1



1 x fitting No. 15



2 x screws fitting No. 15



1 x 87° bend & adapter

Fitting Kit |



1 x uriLOCK 0.3 L



1 x uriCLEAN 0.5 L



1 x uriCLOTH



1 x Cover



1 x suction device

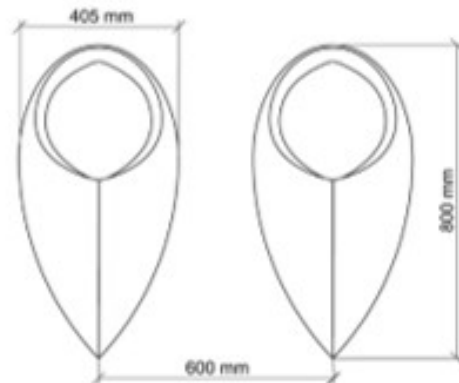
Note |

Installation of the uridan waterless urinal is very simple.

If you are retrofitting existing flushing urinals with uridan waterless urinals, please ensure that the sewer line is jetted and clean of uric scale before installation. Please also remove any existing s-trap to avoid double trapping the urinal.

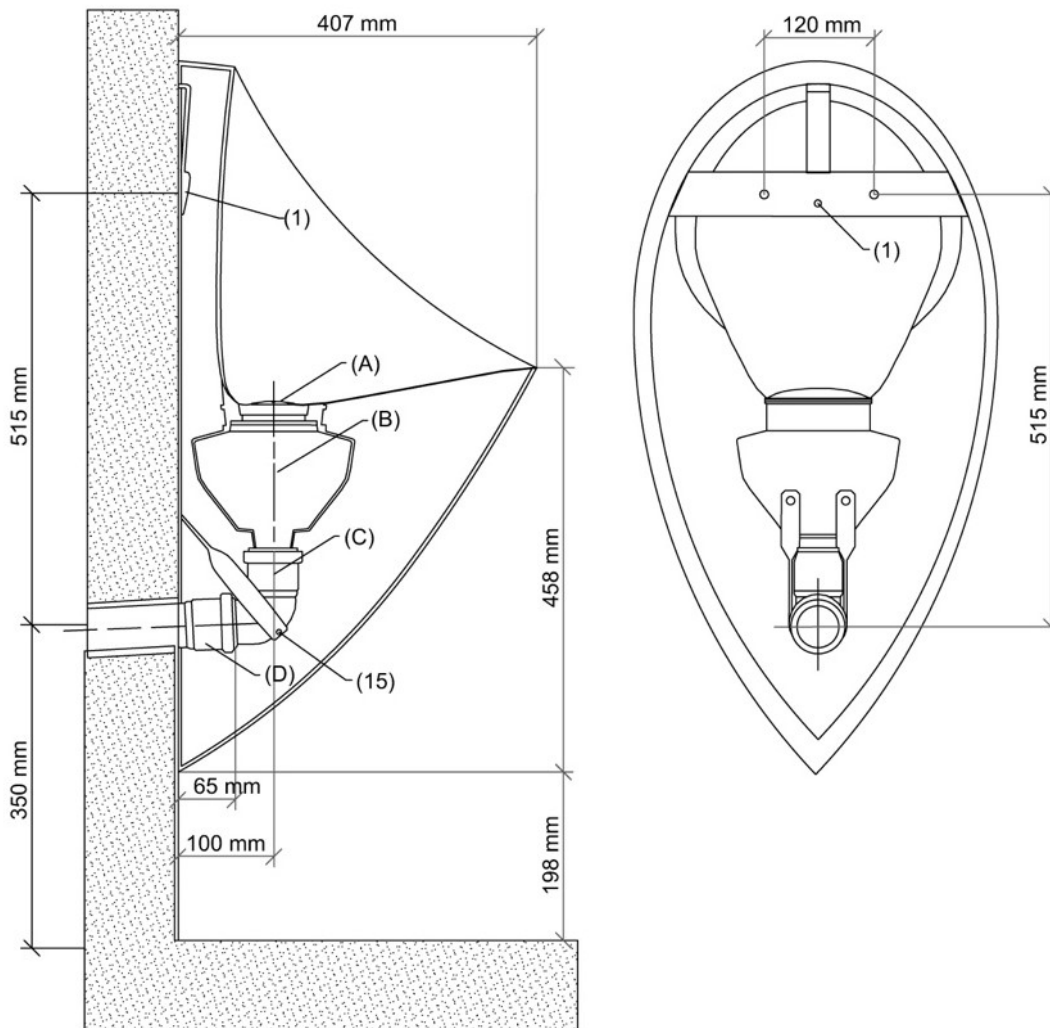
The uridan urinals work without water, and must be fitted to a 65mm waste pipe. Installation should be carried out by authorized plumbers in accordance with AS/NZS3500.1 and AS/NZS3500.2.

PLEASE NOTE: Refer AS/NZA 3500.2:2025 Clause 13.24.2.3 for installation limitations for undilated discharge from a urinal.



ADMIRAL GH-10

glass reinforced plastic (GRP) | horizontal waste



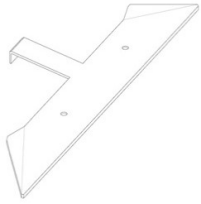
Installation

1. Mark holes for fitting No. (1) and install.
2. Insert extension pipe (Position D) on the 87 ° bend (Position C). Keep a distance of 100 mm from the wall to the middle of the pipe. If necessary shorten the extension pipe. Place the 87 ° bend with the extension pipe on the outlet pipe using the uridan adapter.
3. Adjust fitting No. (15), mark holes, drill holes and mount fitting No. (15).
4. Remove the 87 ° bend with the extension tube and place on the waste trap.
5. Place the urinal with the pipe on the outlet pipe. Lift the urinal and position on the fitting.
6. Fill the waste trap (Position B) with water.
7. Insert the stainless steel cover (Position A).
8. Pour 1 bottle uriLOCK (0.3 litre) over the cover.
9. Seal the gap between the wall and the urinal with silicone. Please Note: Do not put silicon on the lower tip of the urinal.

Please leave customer care booklet, cleaning and maintenance instructions, cleaning spray, cleaning cloth and suction device with customer.

Installation Instructions

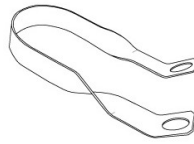
Parts List |



1 x fitting No.1



2 x screws fitting No. 1



1 x fitting No. 15



2 x screws fitting No. 15



1 x 87° bend & adapter

Fitting Kit |



1 x uriLOCK 0.3 L



1 x uriCLEAN 0.5 L



1 x uriCLOTH



1 x Cover



1 x suction device

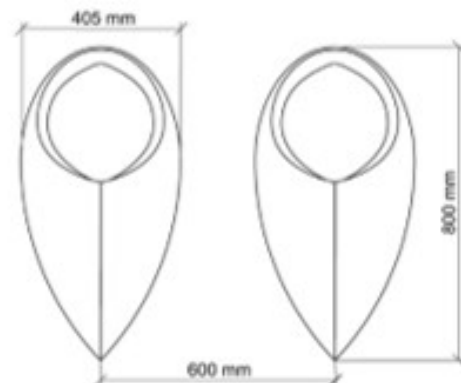
Note |

Installation of the uridan waterless urinal is very simple.

If you are retrofitting existing flushing urinals with uridan waterless urinals, please ensure that the sewer line is jetted and clean of uric scale before installation. Please also remove any existing s-trap to avoid double trapping the urinal.

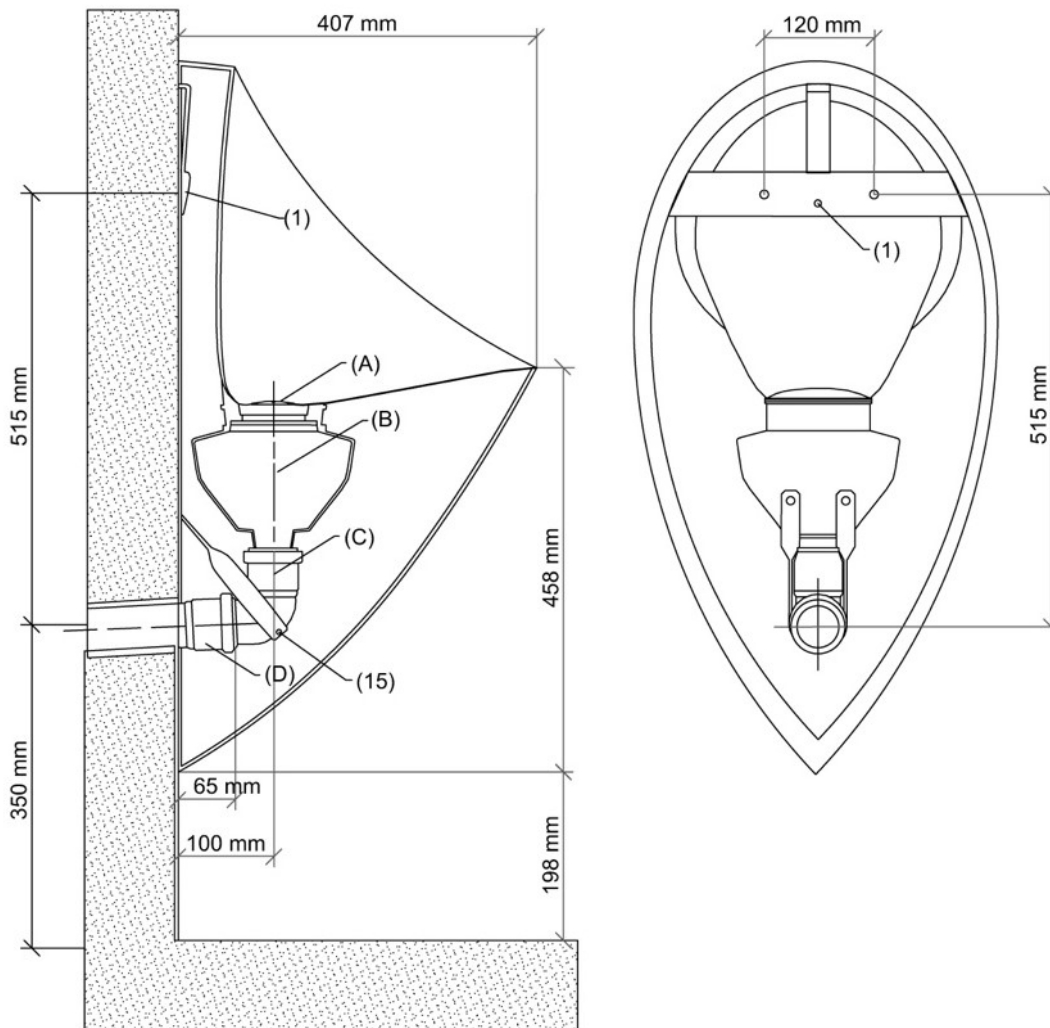
The uridan urinals work without water, and must be fitted to a 65mm waste pipe. Installation should be carried out by authorized plumbers in accordance with AS/NZS3500.1 and AS/NZS3500.2.

PLEASE NOTE: Refer AS/NZA 3500.2:2025 Clause 13.24.2.3 for installation limitations for undilated discharge from a urinal.



ADMIRAL GH-10

glass reinforced plastic (GRP) | horizontal waste



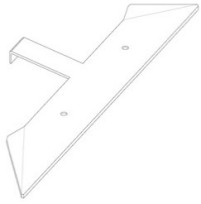
Installation

1. Mark holes for fitting No. (1) and install.
2. Insert extension pipe (Position D) on the 87 ° bend (Position C). Keep a distance of 100 mm from the wall to the middle of the pipe. If necessary shorten the extension pipe. Place the 87 ° bend with the extension pipe on the outlet pipe using the uridan adapter.
3. Adjust fitting No. (15), mark holes, drill holes and mount fitting No. (15).
4. Remove the 87 ° bend with the extension tube and place on the waste trap.
5. Place the urinal with the pipe on the outlet pipe. Lift the urinal and position on the fitting.
6. Fill the waste trap (Position B) with water.
7. Insert the stainless steel cover (Position A).
8. Pour 1 bottle uriLOCK (0.3 litre) over the cover.
9. Seal the gap between the wall and the urinal with silicone. Please Note: Do not put silicon on the lower tip of the urinal.

Please leave customer care booklet, cleaning and maintenance instructions, cleaning spray, cleaning cloth and suction device with customer.

Installation Instructions

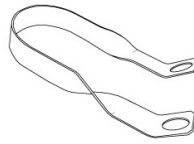
Parts List |



1 x fitting No.1



2 x screws fitting No. 1



1 x fitting No. 15



2 x screws fitting No. 15



1 x 87° bend & adapter

Fitting Kit |



1 x uriLOCK 0.3 L



1 x uriCLEAN 0.5 L



1 x uriCLOTH



1 x Cover



1 x suction device

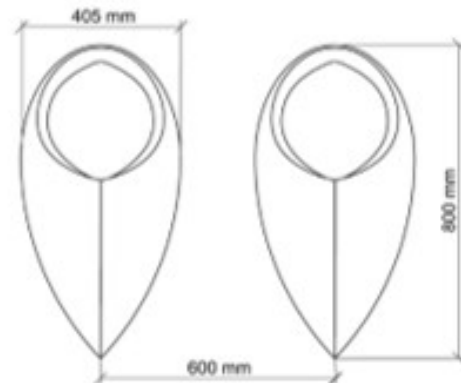
Note |

Installation of the uridan waterless urinal is very simple.

If you are retrofitting existing flushing urinals with uridan waterless urinals, please ensure that the sewer line is jetted and clean of uric scale before installation. Please also remove any existing s-trap to avoid double trapping the urinal.

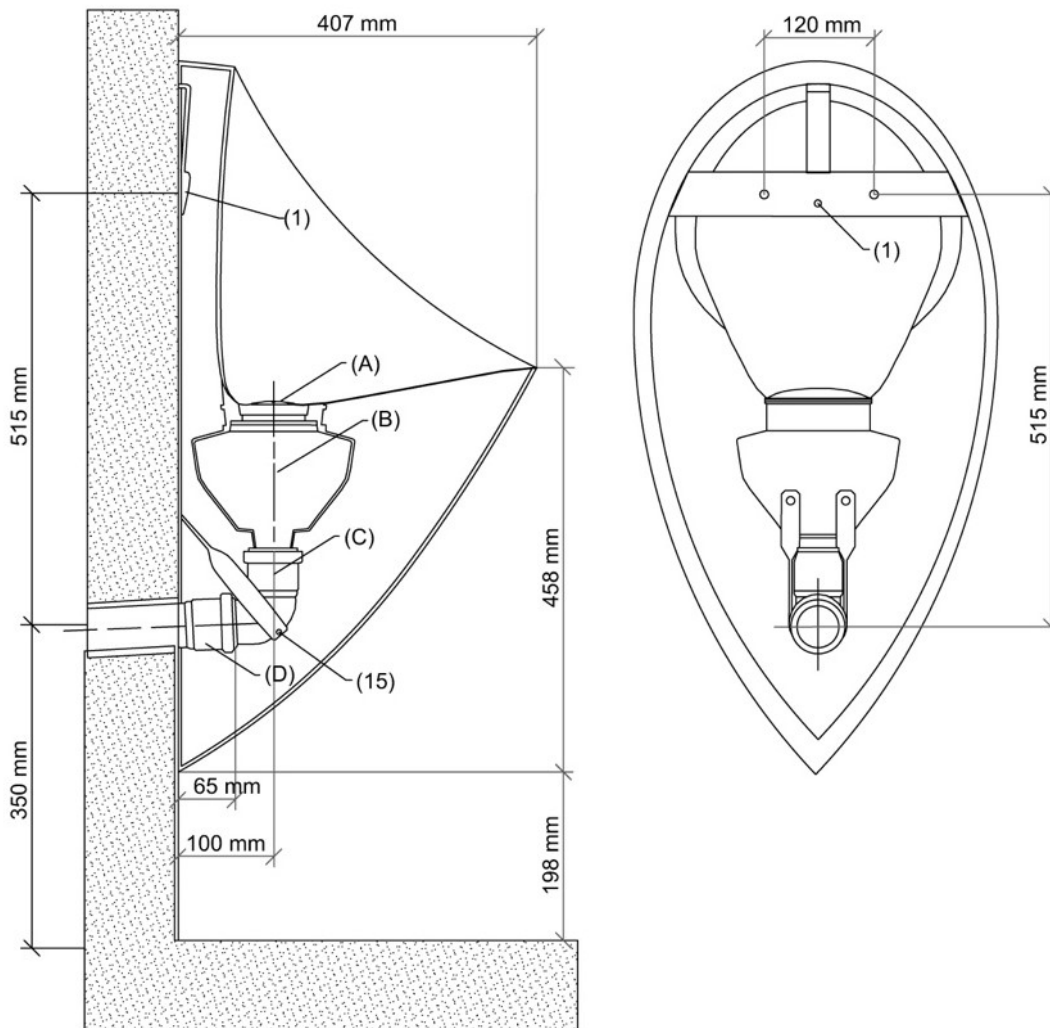
The uridan urinals work without water, and must be fitted to a 65mm waste pipe. Installation should be carried out by authorized plumbers in accordance with AS/NZS3500.1 and AS/NZS3500.2.

PLEASE NOTE: Refer AS/NZA 3500.2:2025 Clause 13.24.2.3 for installation limitations for undilated discharge from a urinal.



ADMIRAL GH-10

glass reinforced plastic (GRP) | horizontal waste



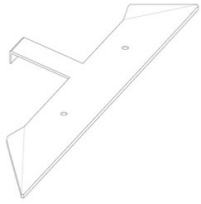
Installation

1. Mark holes for fitting No. (1) and install.
2. Insert extension pipe (Position D) on the 87 ° bend (Position C). Keep a distance of 100 mm from the wall to the middle of the pipe. If necessary shorten the extension pipe. Place the 87 ° bend with the extension pipe on the outlet pipe using the uridan adapter.
3. Adjust fitting No. (15), mark holes, drill holes and mount fitting No. (15).
4. Remove the 87 ° bend with the extension tube and place on the waste trap.
5. Place the urinal with the pipe on the outlet pipe. Lift the urinal and position on the fitting.
6. Fill the waste trap (Position B) with water.
7. Insert the stainless steel cover (Position A).
8. Pour 1 bottle uriLOCK (0.3 litre) over the cover.
9. Seal the gap between the wall and the urinal with silicone. Please Note: Do not put silicon on the lower tip of the urinal.

Please leave customer care booklet, cleaning and maintenance instructions, cleaning spray, cleaning cloth and suction device with customer.

Installation Instructions

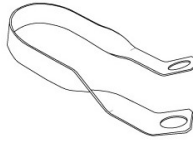
Parts List |



1 x fitting No.1



2 x screws fitting No. 1



1 x fitting No. 15



2 x screws fitting No. 15



1 x 87° bend & adapter

Fitting Kit |



1 x uriLOCK 0.3 L



1 x uriCLEAN 0.5 L



1 x uriCLOTH



1 x Cover



1 x suction device

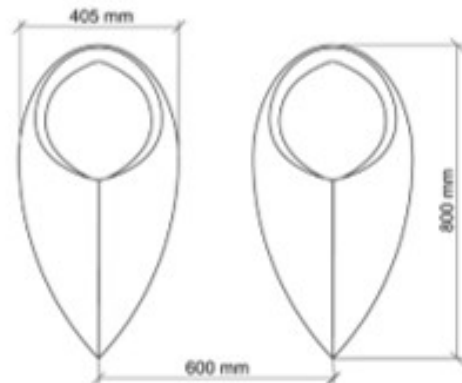
Note |

Installation of the uridan waterless urinal is very simple.

If you are retrofitting existing flushing urinals with uridan waterless urinals, please ensure that the sewer line is jetted and clean of uric scale before installation. Please also remove any existing s-trap to avoid double trapping the urinal.

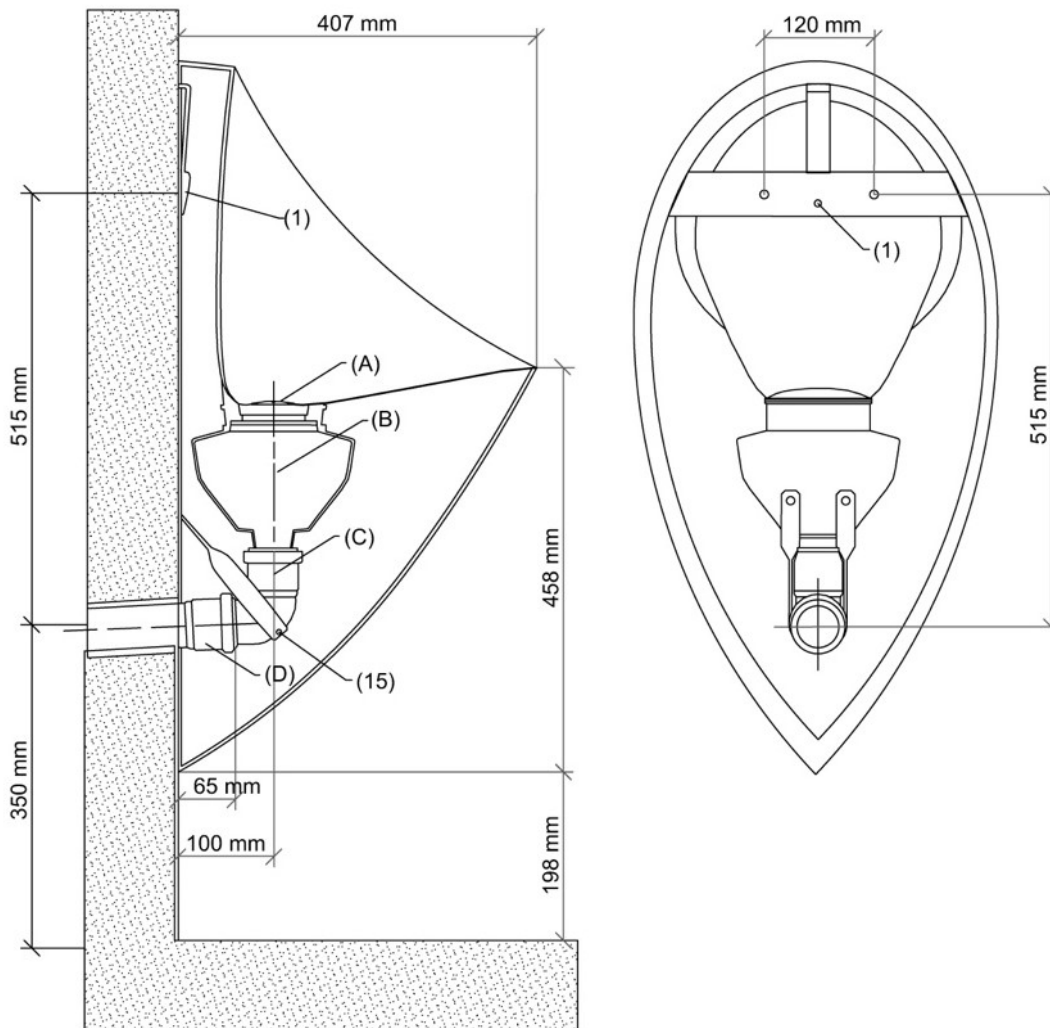
The uridan urinals work without water, and must be fitted to a 65mm waste pipe. Installation should be carried out by authorized plumbers in accordance with AS/NZS3500.1 and AS/NZS3500.2.

PLEASE NOTE: Refer AS/NZA 3500.2:2025 Clause 13.24.2.3 for installation limitations for undilated discharge from a urinal.



ADMIRAL GH-10

glass reinforced plastic (GRP) | horizontal waste



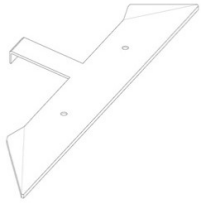
Installation

1. Mark holes for fitting No. (1) and install.
2. Insert extension pipe (Position D) on the 87 ° bend (Position C). Keep a distance of 100 mm from the wall to the middle of the pipe. If necessary shorten the extension pipe. Place the 87 ° bend with the extension pipe on the outlet pipe using the uridan adapter.
3. Adjust fitting No. (15), mark holes, drill holes and mount fitting No. (15).
4. Remove the 87 ° bend with the extension tube and place on the waste trap.
5. Place the urinal with the pipe on the outlet pipe. Lift the urinal and position on the fitting.
6. Fill the waste trap (Position B) with water.
7. Insert the stainless steel cover (Position A).
8. Pour 1 bottle uriLOCK (0.3 litre) over the cover.
9. Seal the gap between the wall and the urinal with silicone. Please Note: Do not put silicon on the lower tip of the urinal.

**Please leave customer care booklet, cleaning and maintenance instructions,
cleaning spray, cleaning cloth and suction device with customer.**

Installation Instructions

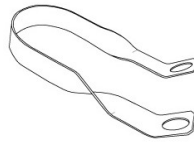
Parts List |



1 x fitting No.1



2 x screws fitting No. 1



1 x fitting No. 15



2 x screws fitting No. 15



1 x 87° bend & adapter

Fitting Kit |



1 x uriLOCK 0.3 L



1 x uriCLEAN 0.5 L



1 x uriCLOTH



1 x Cover



1 x suction device

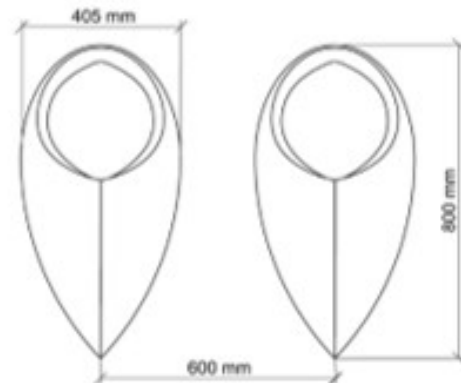
Note |

Installation of the uridan waterless urinal is very simple.

If you are retrofitting existing flushing urinals with uridan waterless urinals, please ensure that the sewer line is jetted and clean of uric scale before installation. Please also remove any existing s-trap to avoid double trapping the urinal.

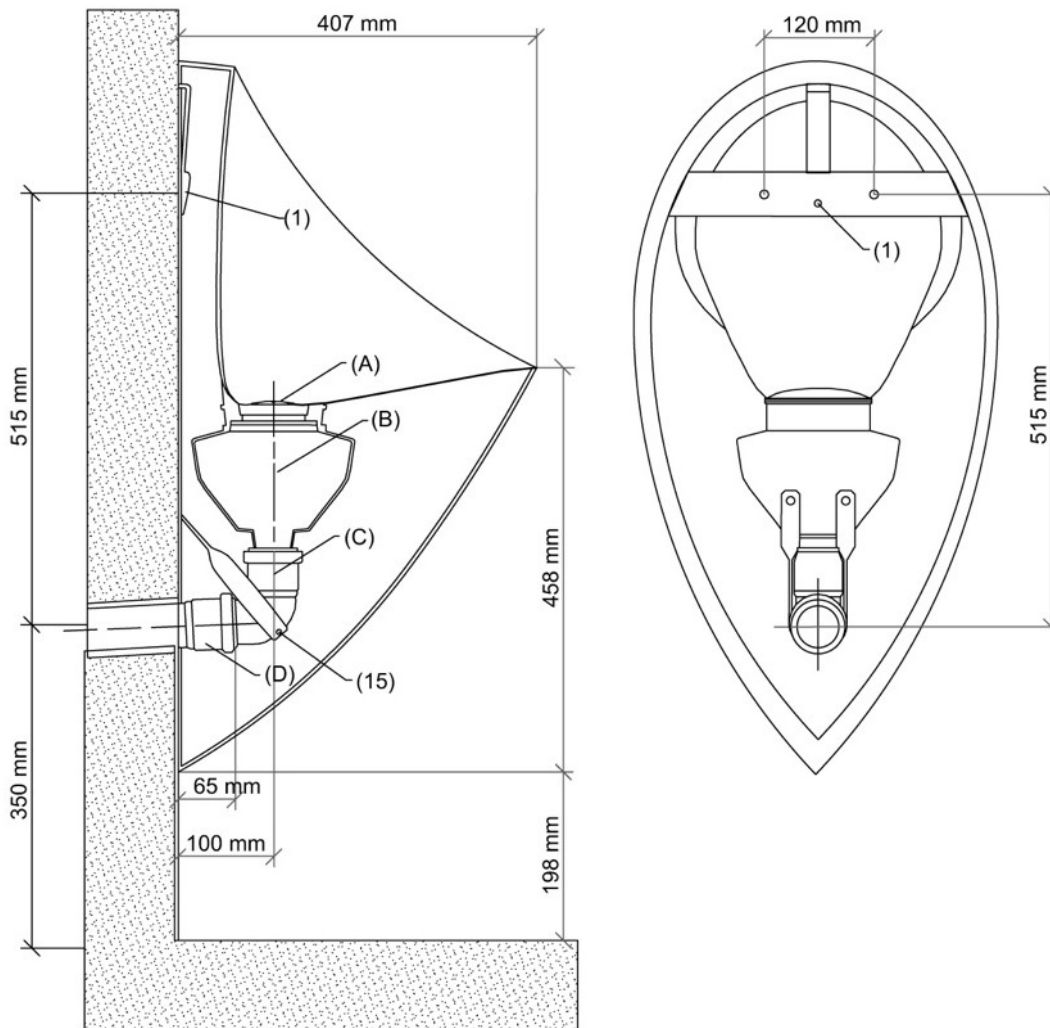
The uridan urinals work without water, and must be fitted to a 65mm waste pipe. Installation should be carried out by authorized plumbers in accordance with AS/NZS3500.1 and AS/NZS3500.2.

PLEASE NOTE: Refer AS/NZA 3500.2:2025 Clause 13.24.2.3 for installation limitations for undilated discharge from a urinal.



ADMIRAL GH-10

glass reinforced plastic (GRP) | horizontal waste



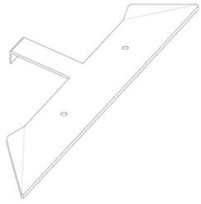
Installation

1. Mark holes for fitting No. (1) and install.
2. Insert extension pipe (Position D) on the 87 ° bend (Position C). Keep a distance of 100 mm from the wall to the middle of the pipe. If necessary shorten the extension pipe. Place the 87 ° bend with the extension pipe on the outlet pipe using the uridan adapter.
3. Adjust fitting No. (15), mark holes, drill holes and mount fitting No. (15).
4. Remove the 87 ° bend with the extension tube and place on the waste trap.
5. Place the urinal with the pipe on the outlet pipe. Lift the urinal and position on the fitting.
6. Fill the waste trap (Position B) with water.
7. Insert the stainless steel cover (Position A).
8. Pour 1 bottle uriLOCK (0.3 litre) over the cover.
9. Seal the gap between the wall and the urinal with silicone. Please Note: Do not put silicon on the lower tip of the urinal.

**Please leave customer care booklet, cleaning and maintenance instructions,
cleaning spray, cleaning cloth and suction device with customer.**

Installation Instructions

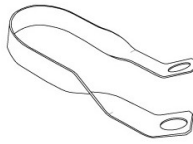
Parts List |



1 x fitting No.1



2 x screws fitting No. 1



1 x fitting No. 15



2 x screws fitting No. 15



1 x 87° bend & adapter

Fitting Kit |



1 x uriLOCK 0.3 L



1 x uriCLEAN 0.5 L



1 x uriCLOTH



1 x Cover



1 x suction device

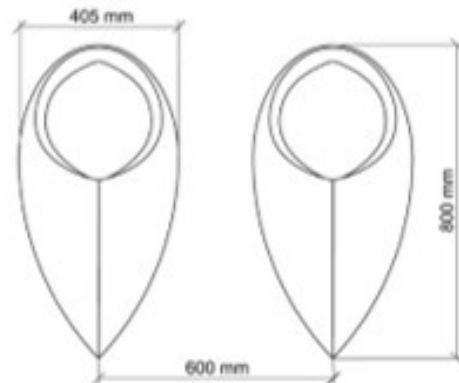
Note |

Installation of the uridan waterless urinal is very simple.

If you are retrofitting existing flushing urinals with uridan waterless urinals, please ensure that the sewer line is jetted and clean of uric scale before installation. Please also remove any existing s-trap to avoid double trapping the urinal.

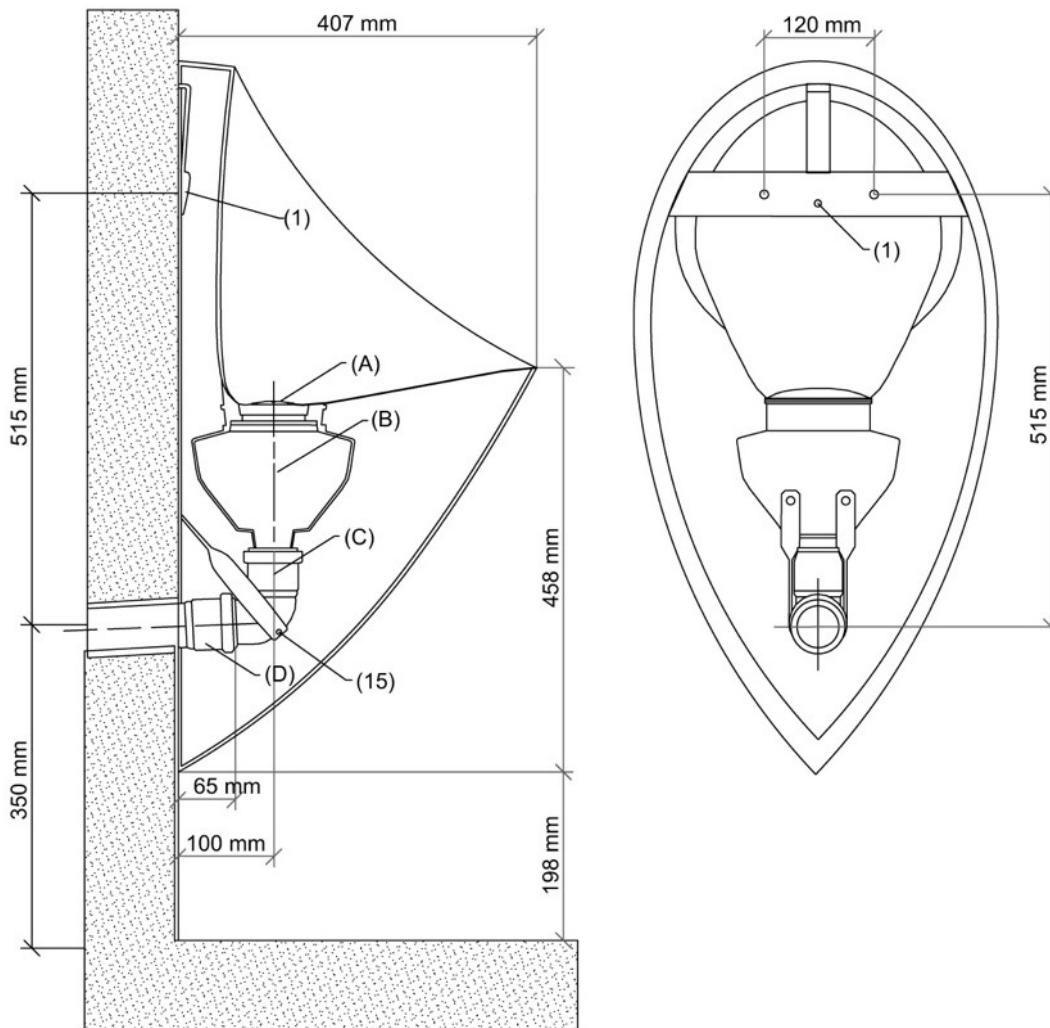
The uridan urinals work without water, and must be fitted to a 65mm waste pipe. Installation should be carried out by authorized plumbers in accordance with AS/NZS3500.1 and AS/NZS3500.2.

PLEASE NOTE: Refer AS/NZA 3500.2:2025 Clause 13.24.2.3 for installation limitations for undilated discharge from a urinal.



ADMIRAL GH-10

glass reinforced plastic (GRP) | horizontal waste



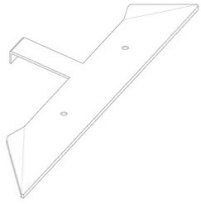
Installation

1. Mark holes for fitting No. (1) and install.
2. Insert extension pipe (Position D) on the 87 ° bend (Position C). Keep a distance of 100 mm from the wall to the middle of the pipe. If necessary shorten the extension pipe. Place the 87 ° bend with the extension pipe on the outlet pipe using the uridan adapter.
3. Adjust fitting No. (15), mark holes, drill holes and mount fitting No. (15).
4. Remove the 87 ° bend with the extension tube and place on the waste trap.
5. Place the urinal with the pipe on the outlet pipe. Lift the urinal and position on the fitting.
6. Fill the waste trap (Position B) with water.
7. Insert the stainless steel cover (Position A).
8. Pour 1 bottle uriLOCK (0.3 litre) over the cover.
9. Seal the gap between the wall and the urinal with silicone. Please Note: Do not put silicon on the lower tip of the urinal.

Please leave customer care booklet, cleaning and maintenance instructions, cleaning spray, cleaning cloth and suction device with customer.

Installation Instructions

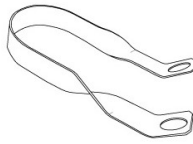
Parts List |



1 x fitting No.1



2 x screws fitting No. 1



1 x fitting No. 15



2 x screws fitting No. 15



1 x 87° bend & adapter

Fitting Kit |



1 x uriLOCK 0.3 L



1 x uriCLEAN 0.5 L



1 x uriCLOTH



1 x Cover



1 x suction device

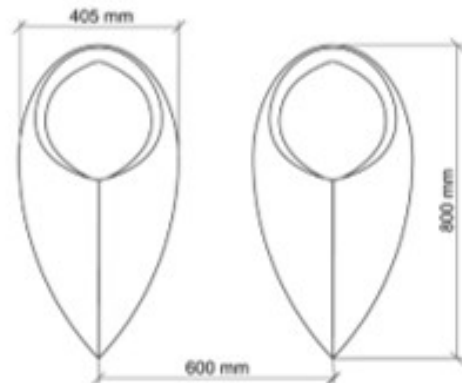
Note |

Installation of the uridan waterless urinal is very simple.

If you are retrofitting existing flushing urinals with uridan waterless urinals, please ensure that the sewer line is jetted and clean of uric scale before installation. Please also remove any existing s-trap to avoid double trapping the urinal.

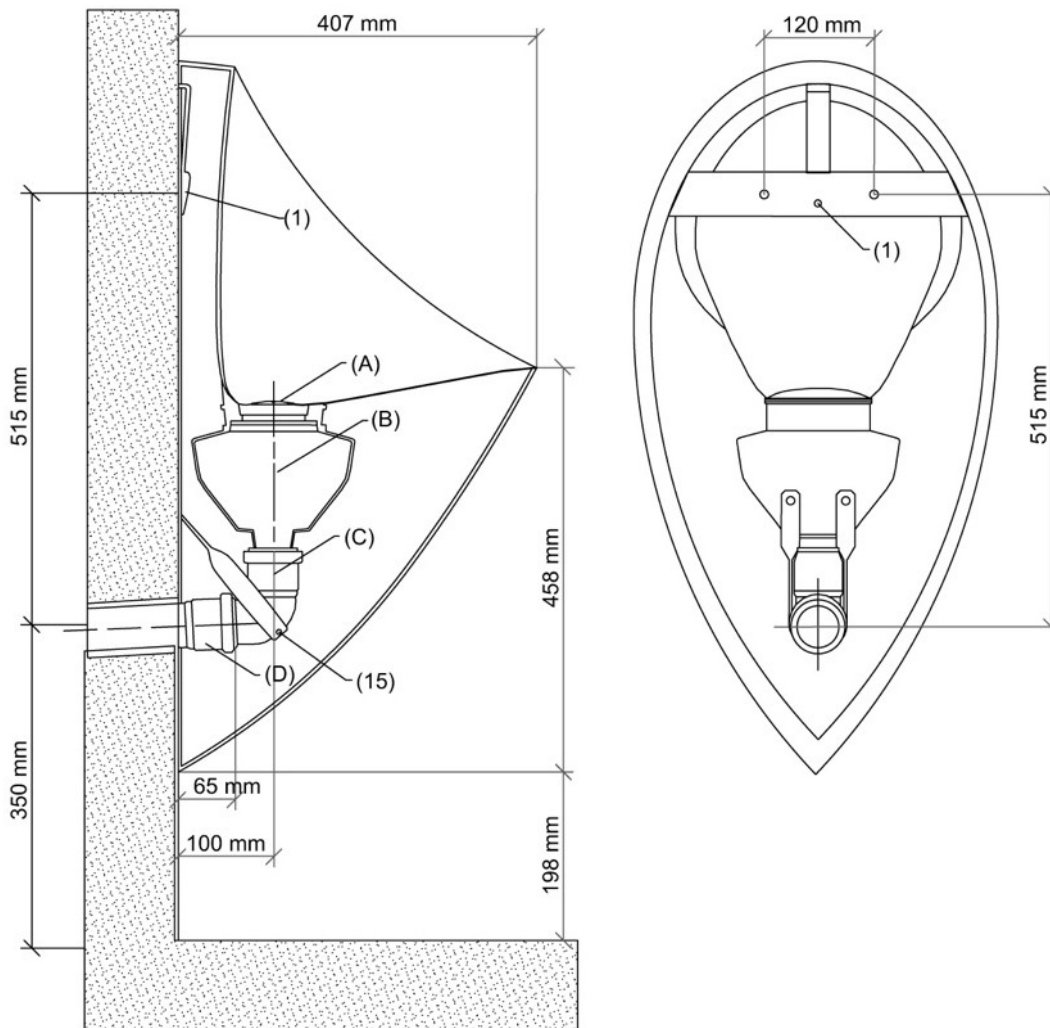
The uridan urinals work without water, and must be fitted to a 65mm waste pipe. Installation should be carried out by authorized plumbers in accordance with AS/NZS3500.1 and AS/NZS3500.2.

PLEASE NOTE: Refer AS/NZA 3500.2:2025 Clause 13.24.2.3 for installation limitations for undilated discharge from a urinal.



ADMIRAL GH-10

glass reinforced plastic (GRP) | horizontal waste



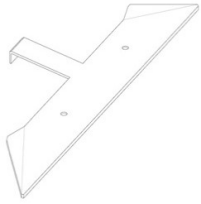
Installation

1. Mark holes for fitting No. (1) and install.
2. Insert extension pipe (Position D) on the 87 ° bend (Position C). Keep a distance of 100 mm from the wall to the middle of the pipe. If necessary shorten the extension pipe. Place the 87 ° bend with the extension pipe on the outlet pipe using the uridan adapter.
3. Adjust fitting No. (15), mark holes, drill holes and mount fitting No. (15).
4. Remove the 87 ° bend with the extension tube and place on the waste trap.
5. Place the urinal with the pipe on the outlet pipe. Lift the urinal and position on the fitting.
6. Fill the waste trap (Position B) with water.
7. Insert the stainless steel cover (Position A).
8. Pour 1 bottle uriLOCK (0.3 litre) over the cover.
9. Seal the gap between the wall and the urinal with silicone. Please Note: Do not put silicon on the lower tip of the urinal.

Please leave customer care booklet, cleaning and maintenance instructions, cleaning spray, cleaning cloth and suction device with customer.

Installation Instructions

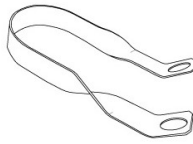
Parts List |



1 x fitting No.1



2 x screws fitting No. 1



1 x fitting No. 15



2 x screws fitting No. 15



1 x 87° bend & adapter

Fitting Kit |



1 x uriLOCK 0.3 L



1 x uriCLEAN 0.5 L



1 x uriCLOTH



1 x Cover



1 x suction device

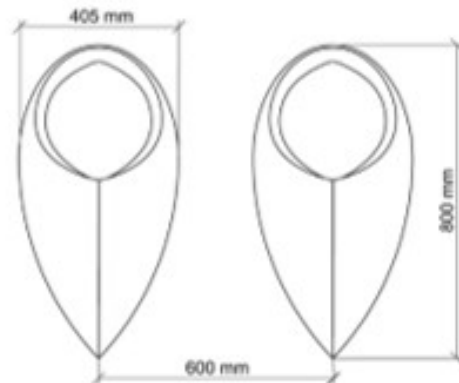
Note |

Installation of the uridan waterless urinal is very simple.

If you are retrofitting existing flushing urinals with uridan waterless urinals, please ensure that the sewer line is jetted and clean of uric scale before installation. Please also remove any existing s-trap to avoid double trapping the urinal.

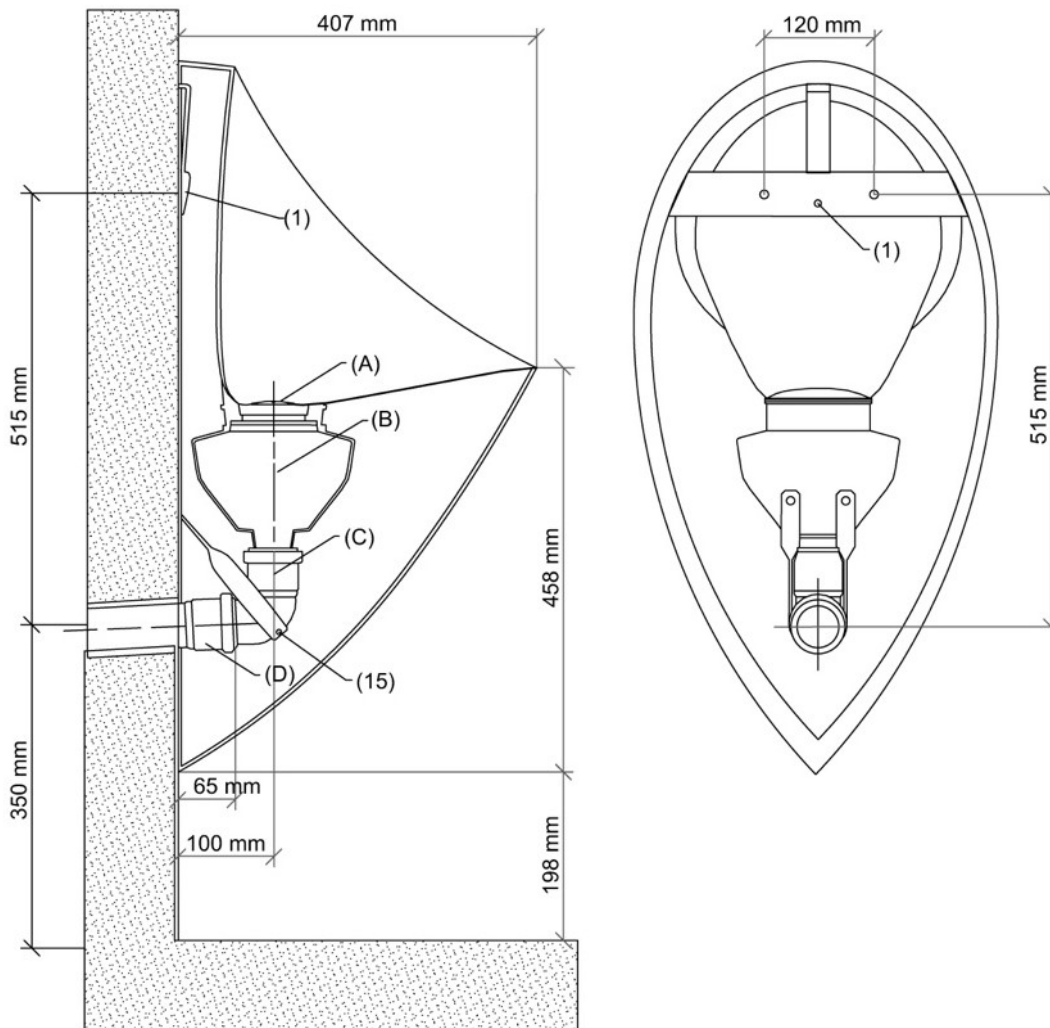
The uridan urinals work without water, and must be fitted to a 65mm waste pipe. Installation should be carried out by authorized plumbers in accordance with AS/NZS3500.1 and AS/NZS3500.2.

PLEASE NOTE: Refer AS/NZA 3500.2:2025 Clause 13.24.2.3 for installation limitations for undilated discharge from a urinal.



ADMIRAL GH-10

glass reinforced plastic (GRP) | horizontal waste



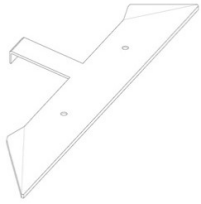
Installation

1. Mark holes for fitting No. (1) and install.
2. Insert extension pipe (Position D) on the 87 ° bend (Position C). Keep a distance of 100 mm from the wall to the middle of the pipe. If necessary shorten the extension pipe. Place the 87 ° bend with the extension pipe on the outlet pipe using the uridan adapter.
3. Adjust fitting No. (15), mark holes, drill holes and mount fitting No. (15).
4. Remove the 87 ° bend with the extension tube and place on the waste trap.
5. Place the urinal with the pipe on the outlet pipe. Lift the urinal and position on the fitting.
6. Fill the waste trap (Position B) with water.
7. Insert the stainless steel cover (Position A).
8. Pour 1 bottle uriLOCK (0.3 litre) over the cover.
9. Seal the gap between the wall and the urinal with silicone. Please Note: Do not put silicon on the lower tip of the urinal.

**Please leave customer care booklet, cleaning and maintenance instructions,
cleaning spray, cleaning cloth and suction device with customer.**

Installation Instructions

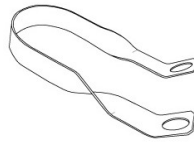
Parts List |



1 x fitting No.1



2 x screws fitting No. 1



1 x fitting No. 15



2 x screws fitting No. 15



1 x 87° bend & adapter

Fitting Kit |



1 x uriLOCK 0.3 L



1 x uriCLEAN 0.5 L



1 x uriCLOTH



1 x Cover



1 x suction device

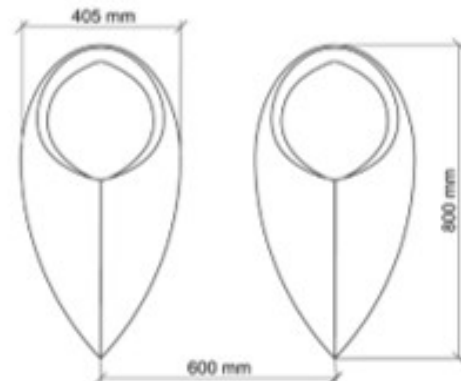
Note |

Installation of the uridan waterless urinal is very simple.

If you are retrofitting existing flushing urinals with uridan waterless urinals, please ensure that the sewer line is jetted and clean of uric scale before installation. Please also remove any existing s-trap to avoid double trapping the urinal.

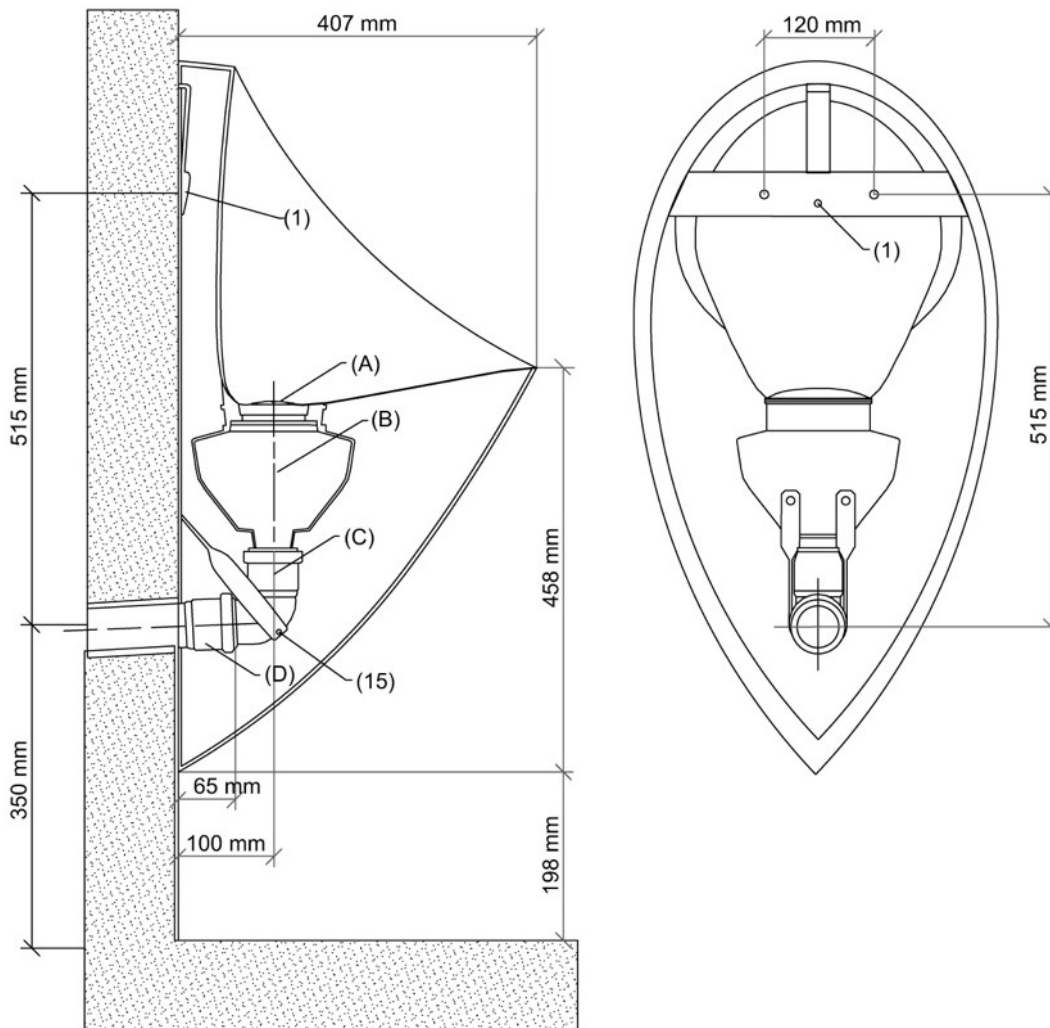
The uridan urinals work without water, and must be fitted to a 65mm waste pipe. Installation should be carried out by authorized plumbers in accordance with AS/NZS3500.1 and AS/NZS3500.2.

PLEASE NOTE: Refer AS/NZA 3500.2:2025 Clause 13.24.2.3 for installation limitations for undilated discharge from a urinal.



ADMIRAL GH-10

glass reinforced plastic (GRP) | horizontal waste



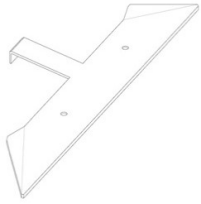
Installation

1. Mark holes for fitting No. (1) and install.
2. Insert extension pipe (Position D) on the 87 ° bend (Position C). Keep a distance of 100 mm from the wall to the middle of the pipe. If necessary shorten the extension pipe. Place the 87 ° bend with the extension pipe on the outlet pipe using the uridan adapter.
3. Adjust fitting No. (15), mark holes, drill holes and mount fitting No. (15).
4. Remove the 87 ° bend with the extension tube and place on the waste trap.
5. Place the urinal with the pipe on the outlet pipe. Lift the urinal and position on the fitting.
6. Fill the waste trap (Position B) with water.
7. Insert the stainless steel cover (Position A).
8. Pour 1 bottle uriLOCK (0.3 litre) over the cover.
9. Seal the gap between the wall and the urinal with silicone. Please Note: Do not put silicon on the lower tip of the urinal.

Please leave customer care booklet, cleaning and maintenance instructions, cleaning spray, cleaning cloth and suction device with customer.

Installation Instructions

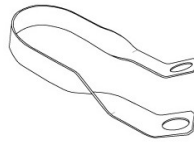
Parts List |



1 x fitting No.1



2 x screws fitting No. 1



1 x fitting No. 15



2 x screws fitting No. 15



1 x 87° bend & adapter

Fitting Kit |



1 x uriLOCK 0.3 L



1 x uriCLEAN 0.5 L



1 x uriCLOTH



1 x Cover



1 x suction device

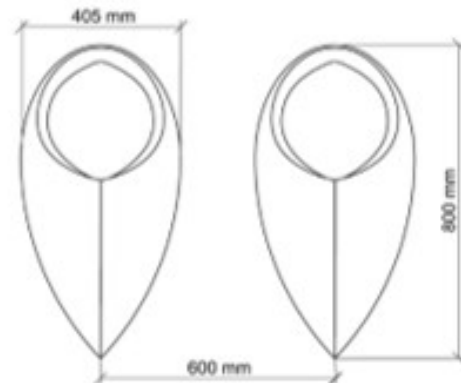
Note |

Installation of the uridan waterless urinal is very simple.

If you are retrofitting existing flushing urinals with uridan waterless urinals, please ensure that the sewer line is jetted and clean of uric scale before installation. Please also remove any existing s-trap to avoid double trapping the urinal.

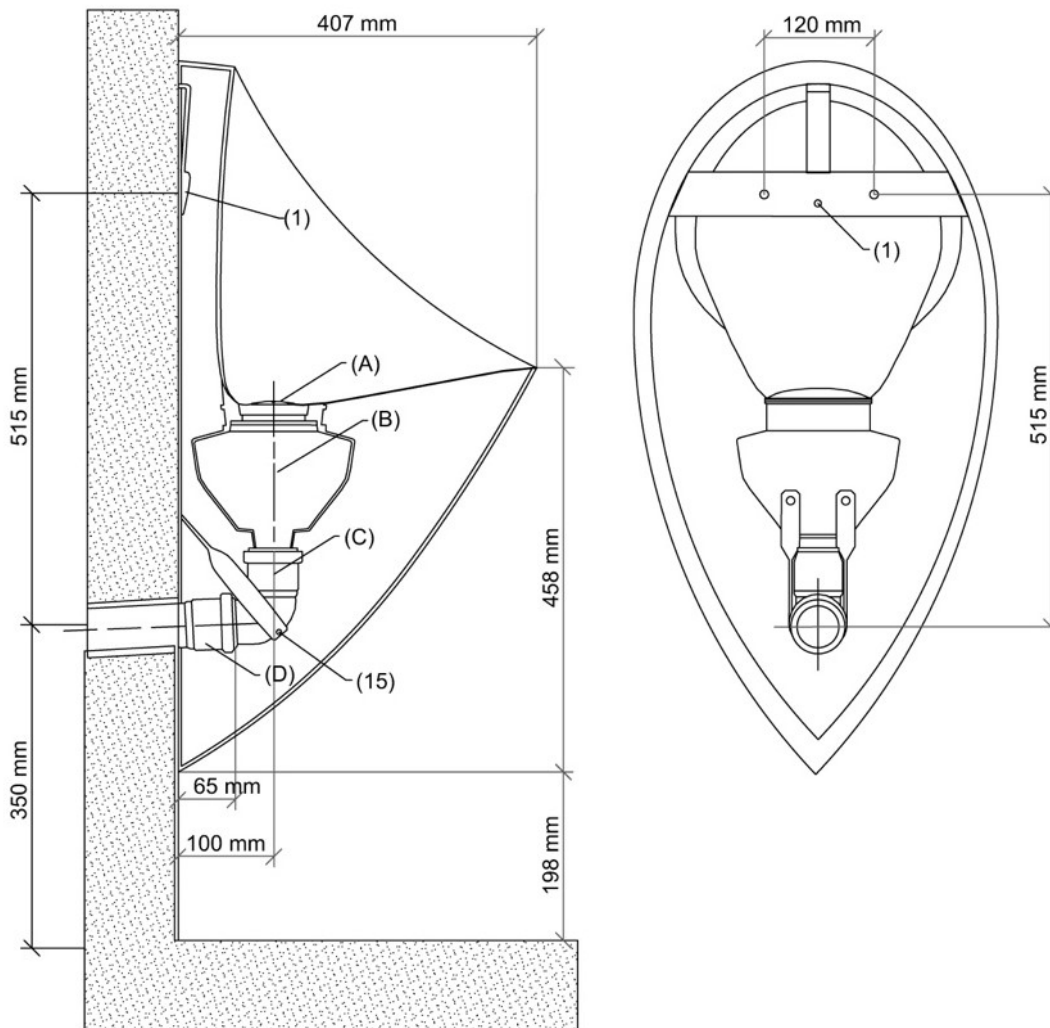
The uridan urinals work without water, and must be fitted to a 65mm waste pipe. Installation should be carried out by authorized plumbers in accordance with AS/NZS3500.1 and AS/NZS3500.2.

PLEASE NOTE: Refer AS/NZA 3500.2:2025 Clause 13.24.2.3 for installation limitations for undilated discharge from a urinal.



ADMIRAL GH-10

glass reinforced plastic (GRP) | horizontal waste



Installation

1. Mark holes for fitting No. (1) and install.
2. Insert extension pipe (Position D) on the 87 ° bend (Position C). Keep a distance of 100 mm from the wall to the middle of the pipe. If necessary shorten the extension pipe. Place the 87 ° bend with the extension pipe on the outlet pipe using the uridan adapter.
3. Adjust fitting No. (15), mark holes, drill holes and mount fitting No. (15).
4. Remove the 87 ° bend with the extension tube and place on the waste trap.
5. Place the urinal with the pipe on the outlet pipe. Lift the urinal and position on the fitting.
6. Fill the waste trap (Position B) with water.
7. Insert the stainless steel cover (Position A).
8. Pour 1 bottle uriLOCK (0.3 litre) over the cover.
9. Seal the gap between the wall and the urinal with silicone. Please Note: Do not put silicon on the lower tip of the urinal.

Please leave customer care booklet, cleaning and maintenance instructions, cleaning spray, cleaning cloth and suction device with customer.