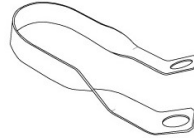


Installation Instructions

Parts List |



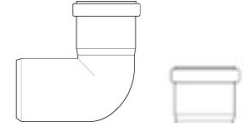
2 x screws No. 19



1 x fitting No. 15



2 x screws fitting No. 15



1 x 87° bend & adapter

Fitting Kit |



1 x uriLOCK 0.3L



1 x uriCLEAN 0.5 L



1 x uriCLOTH



1 x Cover



1 x suction device

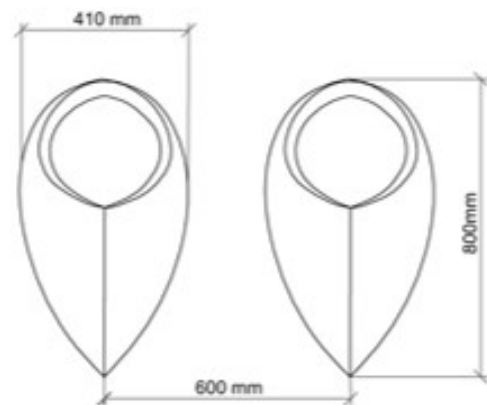
Note |

Installation of the uridan waterless urinal is very simple.

If you are retrofitting existing flushing urinals with uridan waterless urinals, please ensure that the sewer line is jetted and clean of uric scale before installation. Please also remove any existing s-trap to avoid double trapping the urinal.

The uridan urinals work without water, and must be fitted to a 65mm waste pipe. Installation should be carried out by authorized plumbers in accordance with AZ/NZS3500.2.

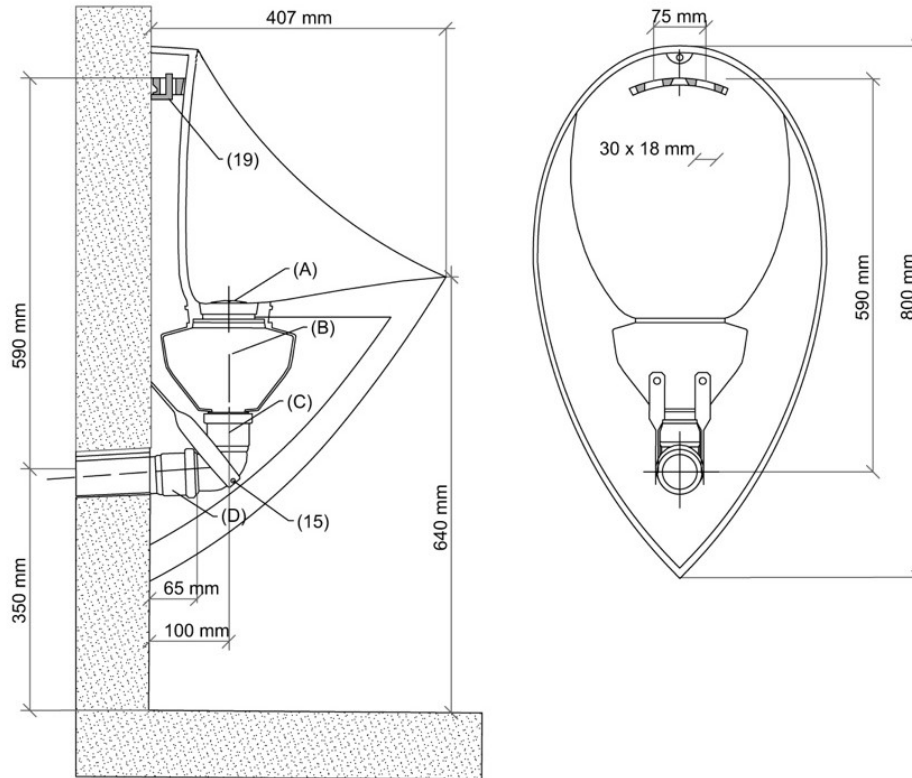
PLEASE NOTE: The undiluted discharge from a waterless urinal must not be transported through copper or copper alloy pipework.



Installation Instructions

URIDAN ADMIRAL KH-10

ceramic | horizontal waste



Installation

1. Measure the height from the center of the waste pipe and mark the holes for both special screws (No.19). Drill holes and mount brackets.
2. Insert extension pipe (Position D) on the 87 ° bend (Position C). Keep a distance of 100 mm from the wall to the middle of the pipe. If necessary, shorten the extension pipe. Place 87 ° bend with extension pipe on the drainage pipe using the uridan adapter.
3. Adjust fitting (No. 15), mark and drill holes and mount fitting (No. 15).
4. Remove the 87 ° bend with the extension pipe and place on the waste trap.
5. Place the urinal with the pipe on the outlet pipe. Lift the urinal and position on screws (No. 19).
Please note: There should be a gap of approx. 2 to 5 mm between the urinal and the wall, so tension cracks can be prevented.
6. Fill the waste trap (Position B) with water.
7. Insert the stainless steel cover (Position A).
8. Pour 1 bottle uriLOCK (0.3 litre) over the cover.
9. Seal the gap between the wall and the urinal with silicone . Please Note: Do not silicone the lower tip of the urinal!
The uridan urinal is now ready for use!

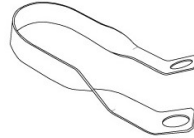
Please leave customer care booklet, cleaning and maintenance instructions, cleaning spray, cleaning cloth and suction device with customer.

Installation Instructions

Parts List |



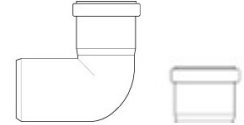
2 x screws No. 19



1 x fitting No. 15



2 x screws fitting No. 15



1 x 87° bend & adapter

Fitting Kit |



1 x uriLOCK 0.3L



1 x uriCLEAN 0.5 L



1 x uriCLOTH



1 x Cover



1 x suction device

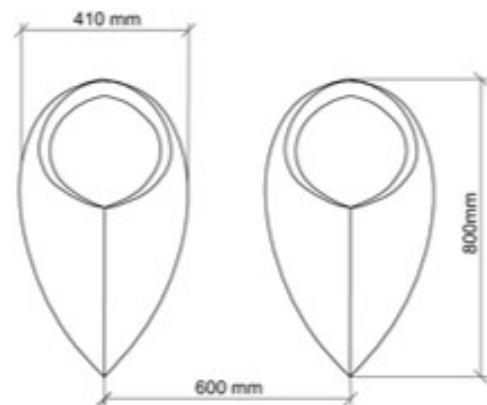
Note |

Installation of the uridan waterless urinal is very simple.

If you are retrofitting existing flushing urinals with uridan waterless urinals, please ensure that the sewer line is jetted and clean of uric scale before installation. Please also remove any existing s-trap to avoid double trapping the urinal.

The uridan urinals work without water, and must be fitted to a 65mm waste pipe. Installation should be carried out by authorized plumbers in accordance with AZ/NZS3500.2.

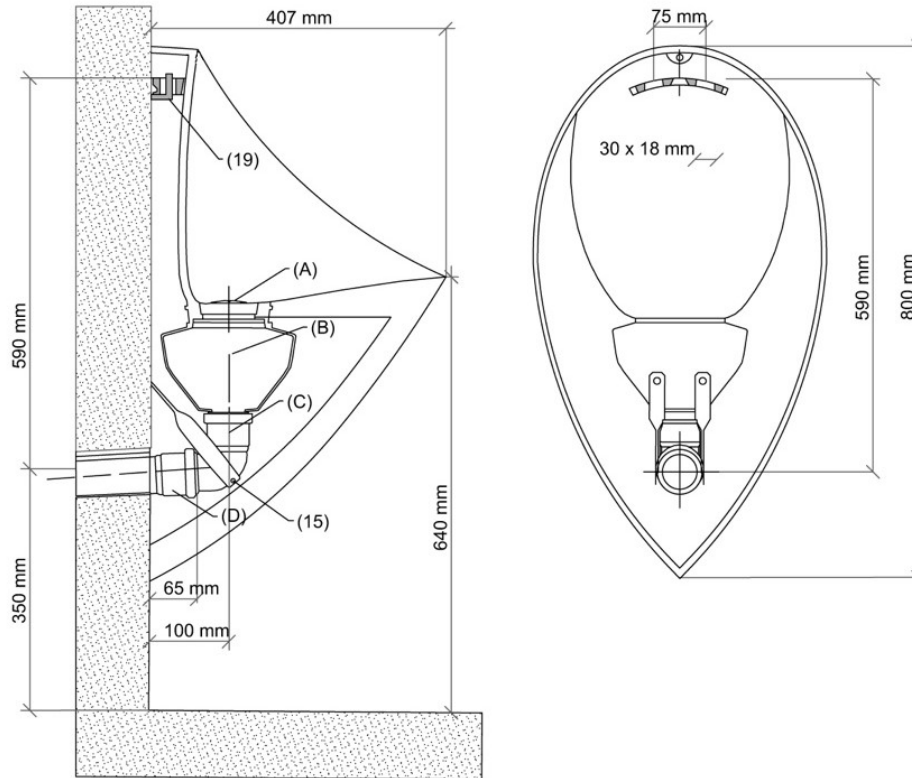
PLEASE NOTE: The undiluted discharge from a waterless urinal must not be transported through copper or copper alloy pipework.



Installation Instructions

URIDAN ADMIRAL KH-10

ceramic | horizontal waste



Installation

1. Measure the height from the center of the waste pipe and mark the holes for both special screws (No.19). Drill holes and mount brackets.
2. Insert extension pipe (Position D) on the 87 ° bend (Position C). Keep a distance of 100 mm from the wall to the middle of the pipe. If necessary, shorten the extension pipe. Place 87 ° bend with extension pipe on the drainage pipe using the uridan adapter.
3. Adjust fitting (No. 15), mark and drill holes and mount fitting (No. 15).
4. Remove the 87 ° bend with the extension pipe and place on the waste trap.
5. Place the urinal with the pipe on the outlet pipe. Lift the urinal and position on screws (No. 19).
Please note: There should be a gap of approx. 2 to 5 mm between the urinal and the wall, so tension cracks can be prevented.
6. Fill the waste trap (Position B) with water.
7. Insert the stainless steel cover (Position A).
8. Pour 1 bottle uriLOCK (0.3 litre) over the cover.
9. Seal the gap between the wall and the urinal with silicone . Please Note: Do not silicone the lower tip of the urinal!
The uridan urinal is now ready for use!

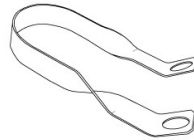
**Please leave customer care booklet, cleaning and maintenance instructions,
cleaning spray, cleaning cloth and suction device with customer.**

Installation Instructions

Parts List |



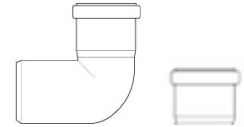
2 x screws No. 19



1 x fitting No. 15



2 x screws fitting No. 15



1 x 87° bend & adapter

Fitting Kit |



1 x uriLOCK 0.3L



1 x uriCLEAN 0.5 L



1 x uriCLOTH



1 x Cover



1 x suction device

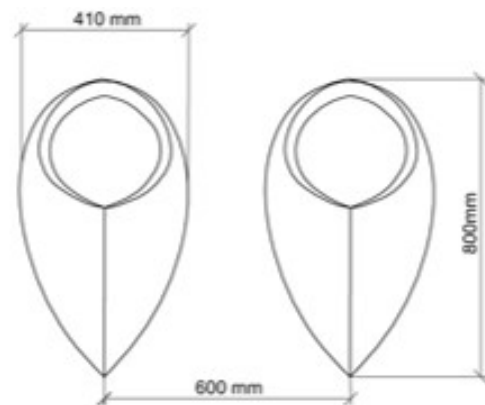
Note |

Installation of the uridan waterless urinal is very simple.

If you are retrofitting existing flushing urinals with uridan waterless urinals, please ensure that the sewer line is jetted and clean of uric scale before installation. Please also remove any existing s-trap to avoid double trapping the urinal.

The uridan urinals work without water, and must be fitted to a 65mm waste pipe. Installation should be carried out by authorized plumbers in accordance with AZ/NZS3500.2.

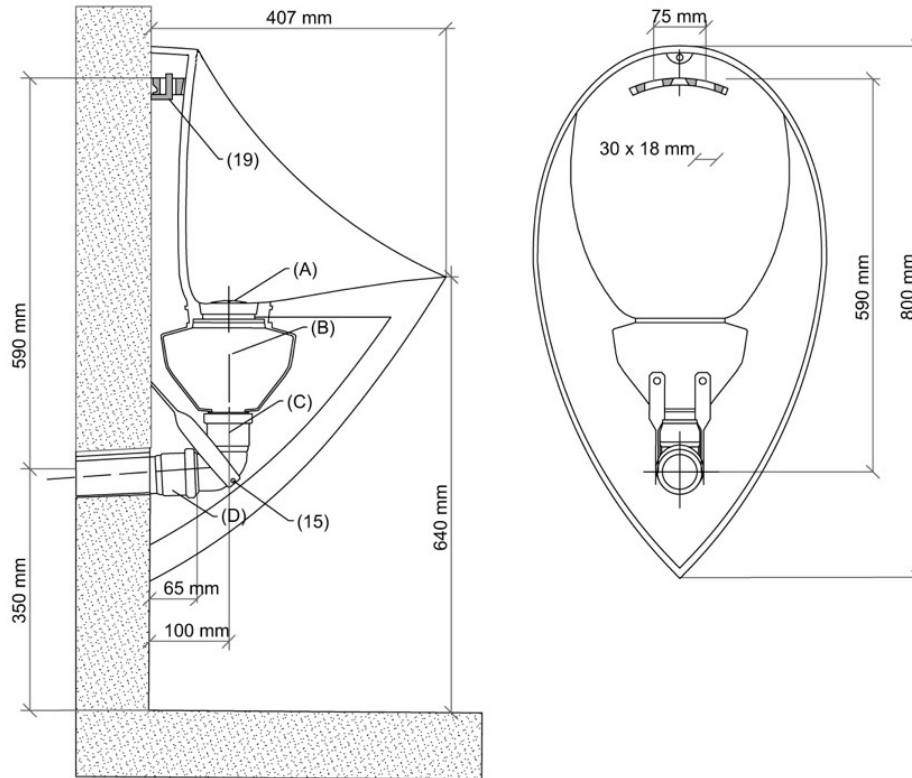
PLEASE NOTE: The undiluted discharge from a waterless urinal must not be transported through copper or copper alloy pipework.



Installation Instructions

URIDAN ADMIRAL KH-10

ceramic | horizontal waste



Installation

1. Measure the height from the center of the waste pipe and mark the holes for both special screws (No.19). Drill holes and mount brackets.
2. Insert extension pipe (Position D) on the 87 ° bend (Position C). Keep a distance of 100 mm from the wall to the middle of the pipe. If necessary, shorten the extension pipe. Place 87 ° bend with extension pipe on the drainage pipe using the uridan adapter.
3. Adjust fitting (No. 15), mark and drill holes and mount fitting (No. 15).
4. Remove the 87 ° bend with the extension pipe and place on the waste trap.
5. Place the urinal with the pipe on the outlet pipe. Lift the urinal and position on screws (No. 19).
Please note: There should be a gap of approx. 2 to 5 mm between the urinal and the wall, so tension cracks can be prevented.
6. Fill the waste trap (Position B) with water.
7. Insert the stainless steel cover (Position A).
8. Pour 1 bottle uriLOCK (0.3 litre) over the cover.
9. Seal the gap between the wall and the urinal with silicone . Please Note: Do not silicone the lower tip of the urinal!
The uridan urinal is now ready for use!

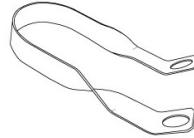
**Please leave customer care booklet, cleaning and maintenance instructions,
cleaning spray, cleaning cloth and suction device with customer.**

Installation Instructions

Parts List |



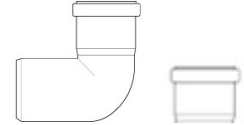
2 x screws No. 19



1 x fitting No. 15



2 x screws fitting No. 15



1 x 87° bend & adapter

Fitting Kit |



1 x uriLOCK 0.3L



1 x uriCLEAN 0.5 L



1 x uriCLOTH



1 x Cover



1 x suction device

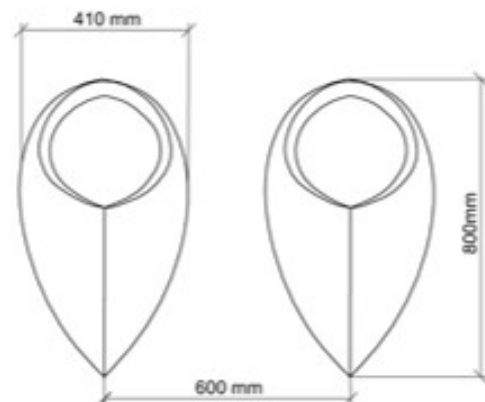
Note |

Installation of the uridan waterless urinal is very simple.

If you are retrofitting existing flushing urinals with uridan waterless urinals, please ensure that the sewer line is jetted and clean of uric scale before installation. Please also remove any existing s-trap to avoid double trapping the urinal.

The uridan urinals work without water, and must be fitted to a 65mm waste pipe. Installation should be carried out by authorized plumbers in accordance with AZ/NZS3500.2.

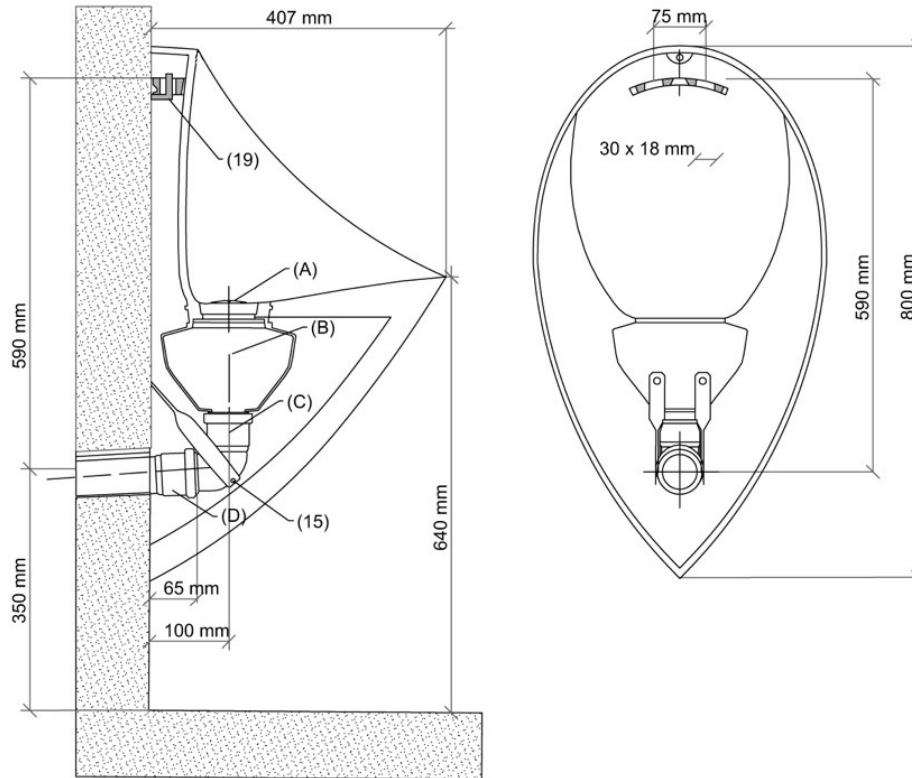
PLEASE NOTE: The undiluted discharge from a waterless urinal must not be transported through copper or copper alloy pipework.



Installation Instructions

URIDAN ADMIRAL KH-10

ceramic | horizontal waste



Installation

1. Measure the height from the center of the waste pipe and mark the holes for both special screws (No.19). Drill holes and mount brackets.
2. Insert extension pipe (Position D) on the 87 ° bend (Position C). Keep a distance of 100 mm from the wall to the middle of the pipe. If necessary, shorten the extension pipe. Place 87 ° bend with extension pipe on the drainage pipe using the uridan adapter.
3. Adjust fitting (No. 15), mark and drill holes and mount fitting (No. 15).
4. Remove the 87 ° bend with the extension pipe and place on the waste trap.
5. Place the urinal with the pipe on the outlet pipe. Lift the urinal and position on screws (No. 19).
Please note: There should be a gap of approx. 2 to 5 mm between the urinal and the wall, so tension cracks can be prevented.
6. Fill the waste trap (Position B) with water.
7. Insert the stainless steel cover (Position A).
8. Pour 1 bottle uriLOCK (0.3 litre) over the cover.
9. Seal the gap between the wall and the urinal with silicone . Please Note: Do not silicone the lower tip of the urinal!
The uridan urinal is now ready for use!

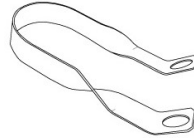
**Please leave customer care booklet, cleaning and maintenance instructions,
cleaning spray, cleaning cloth and suction device with customer.**

Installation Instructions

Parts List |



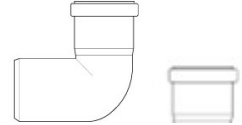
2 x screws No. 19



1 x fitting No. 15



2 x screws fitting No. 15



1 x 87° bend & adapter

Fitting Kit |



1 x uriLOCK 0.3L



1 x uriCLEAN 0.5 L



1 x uriCLOTH



1 x Cover



1 x suction device

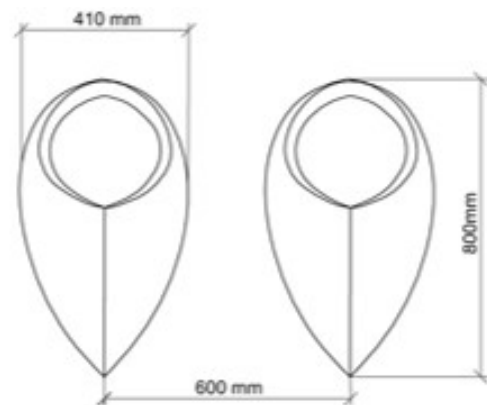
Note |

Installation of the uridan waterless urinal is very simple.

If you are retrofitting existing flushing urinals with uridan waterless urinals, please ensure that the sewer line is jetted and clean of uric scale before installation. Please also remove any existing s-trap to avoid double trapping the urinal.

The uridan urinals work without water, and must be fitted to a 65mm waste pipe. Installation should be carried out by authorized plumbers in accordance with AZ/NZS3500.2.

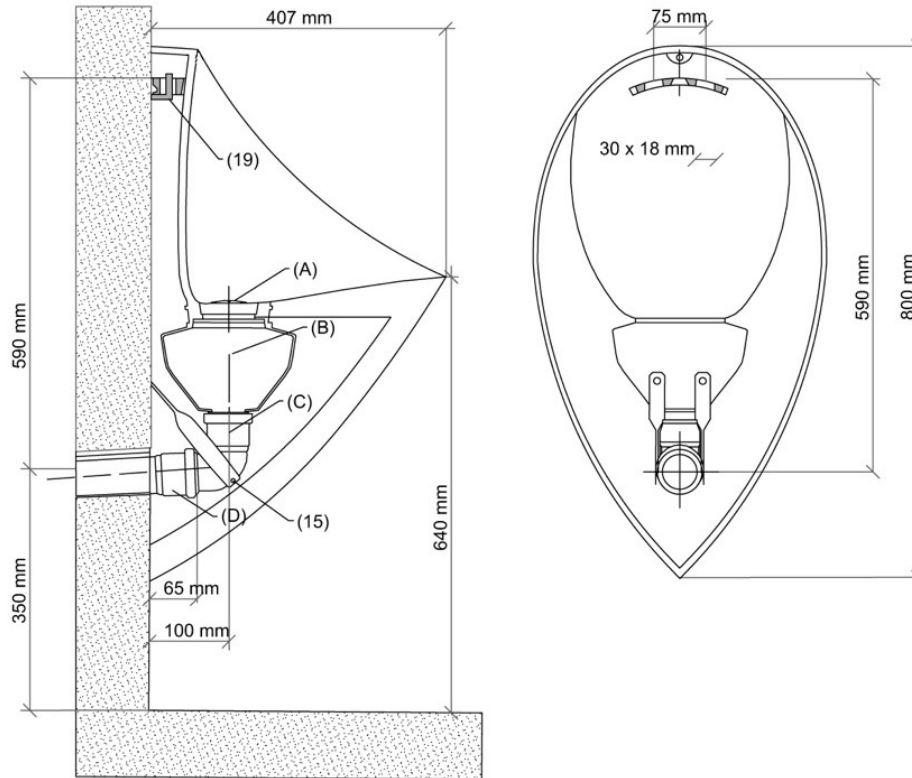
PLEASE NOTE: The undiluted discharge from a waterless urinal must not be transported through copper or copper alloy pipework.



Installation Instructions

URIDAN ADMIRAL KH-10

ceramic | horizontal waste



Installation

1. Measure the height from the center of the waste pipe and mark the holes for both special screws (No.19). Drill holes and mount brackets.
2. Insert extension pipe (Position D) on the 87 ° bend (Position C). Keep a distance of 100 mm from the wall to the middle of the pipe. If necessary, shorten the extension pipe. Place 87 ° bend with extension pipe on the drainage pipe using the uridan adapter.
3. Adjust fitting (No. 15), mark and drill holes and mount fitting (No. 15).
4. Remove the 87 ° bend with the extension pipe and place on the waste trap.
5. Place the urinal with the pipe on the outlet pipe. Lift the urinal and position on screws (No. 19).
Please note: There should be a gap of approx. 2 to 5 mm between the urinal and the wall, so tension cracks can be prevented.
6. Fill the waste trap (Position B) with water.
7. Insert the stainless steel cover (Position A).
8. Pour 1 bottle uriLOCK (0.3 litre) over the cover.
9. Seal the gap between the wall and the urinal with silicone . Please Note: Do not silicone the lower tip of the urinal!
The uridan urinal is now ready for use!

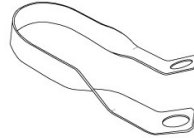
**Please leave customer care booklet, cleaning and maintenance instructions,
cleaning spray, cleaning cloth and suction device with customer.**

Installation Instructions

Parts List |



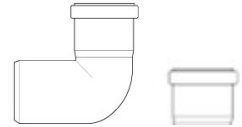
2 x screws No. 19



1 x fitting No. 15



2 x screws fitting No. 15



1 x 87° bend & adapter

Fitting Kit |



1 x uriLOCK 0.3L



1 x uriCLEAN 0.5 L



1 x uriCLOTH



1 x Cover



1 x suction device

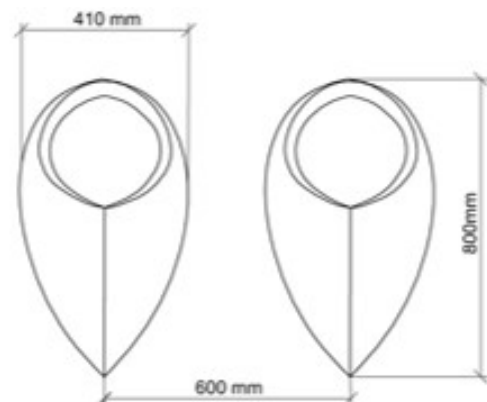
Note |

Installation of the uridan waterless urinal is very simple.

If you are retrofitting existing flushing urinals with uridan waterless urinals, please ensure that the sewer line is jetted and clean of uric scale before installation. Please also remove any existing s-trap to avoid double trapping the urinal.

The uridan urinals work without water, and must be fitted to a 65mm waste pipe. Installation should be carried out by authorized plumbers in accordance with AZ/NZS3500.2.

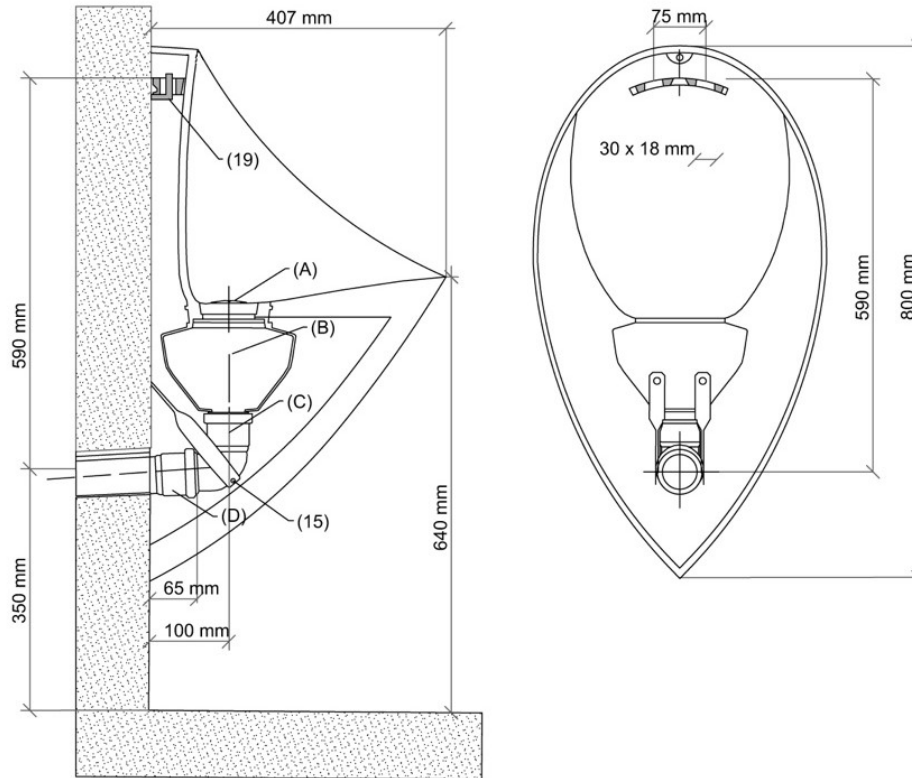
PLEASE NOTE: The undiluted discharge from a waterless urinal must not be transported through copper or copper alloy pipework.



Installation Instructions

URIDAN ADMIRAL KH-10

ceramic | horizontal waste



Installation

1. Measure the height from the center of the waste pipe and mark the holes for both special screws (No.19). Drill holes and mount brackets.
2. Insert extension pipe (Position D) on the 87 ° bend (Position C). Keep a distance of 100 mm from the wall to the middle of the pipe. If necessary, shorten the extension pipe. Place 87 ° bend with extension pipe on the drainage pipe using the uridan adapter.
3. Adjust fitting (No. 15), mark and drill holes and mount fitting (No. 15).
4. Remove the 87 ° bend with the extension pipe and place on the waste trap.
5. Place the urinal with the pipe on the outlet pipe. Lift the urinal and position on screws (No. 19).
Please note: There should be a gap of approx. 2 to 5 mm between the urinal and the wall, so tension cracks can be prevented.
6. Fill the waste trap (Position B) with water.
7. Insert the stainless steel cover (Position A).
8. Pour 1 bottle uriLOCK (0.3 litre) over the cover.
9. Seal the gap between the wall and the urinal with silicone . Please Note: Do not silicone the lower tip of the urinal!
The uridan urinal is now ready for use!

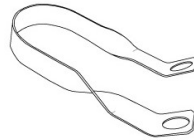
**Please leave customer care booklet, cleaning and maintenance instructions,
cleaning spray, cleaning cloth and suction device with customer.**

Installation Instructions

Parts List |



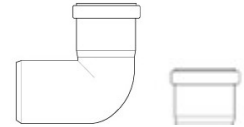
2 x screws No. 19



1 x fitting No. 15



2 x screws fitting No. 15



1 x 87° bend & adapter

Fitting Kit |



1 x uriLOCK 0.3L



1 x uriCLEAN 0.5 L



1 x uriCLOTH



1 x Cover



1 x suction device

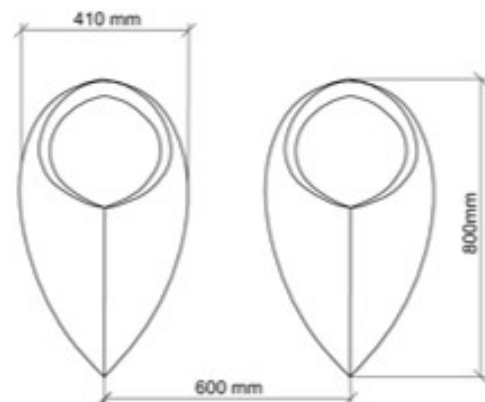
Note |

Installation of the uridan waterless urinal is very simple.

If you are retrofitting existing flushing urinals with uridan waterless urinals, please ensure that the sewer line is jetted and clean of uric scale before installation. Please also remove any existing s-trap to avoid double trapping the urinal.

The uridan urinals work without water, and must be fitted to a 65mm waste pipe. Installation should be carried out by authorized plumbers in accordance with AZ/NZS3500.2.

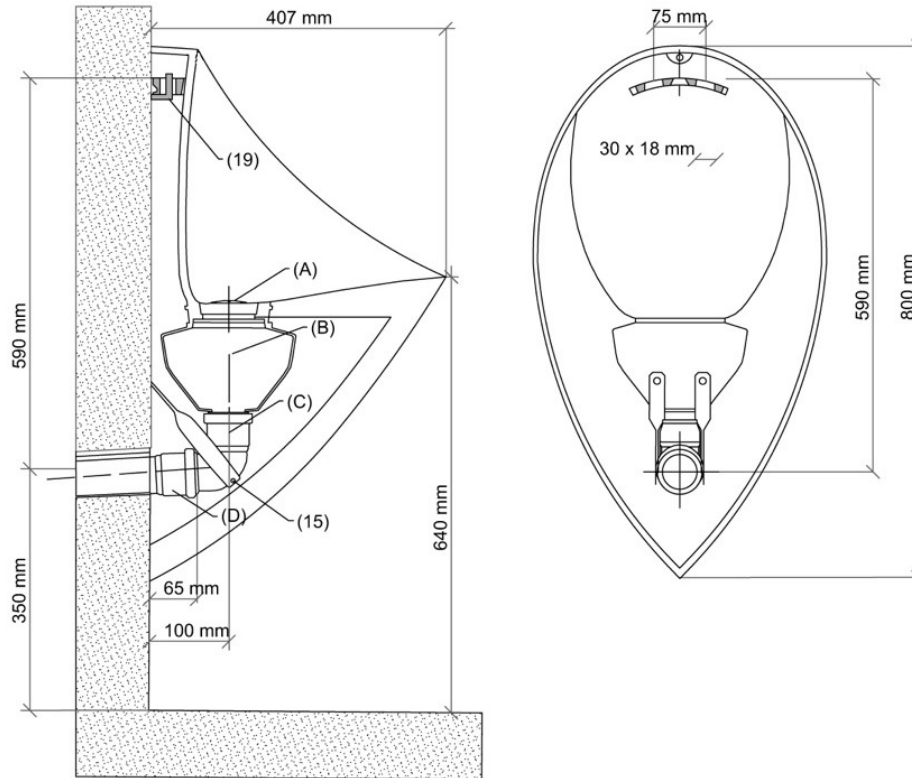
PLEASE NOTE: The undiluted discharge from a waterless urinal must not be transported through copper or copper alloy pipework.



Installation Instructions

URIDAN ADMIRAL KH-10

ceramic | horizontal waste



Installation

1. Measure the height from the center of the waste pipe and mark the holes for both special screws (No.19). Drill holes and mount brackets.
2. Insert extension pipe (Position D) on the 87 ° bend (Position C). Keep a distance of 100 mm from the wall to the middle of the pipe. If necessary, shorten the extension pipe. Place 87 ° bend with extension pipe on the drainage pipe using the uridan adapter.
3. Adjust fitting (No. 15), mark and drill holes and mount fitting (No. 15).
4. Remove the 87 ° bend with the extension pipe and place on the waste trap.
5. Place the urinal with the pipe on the outlet pipe. Lift the urinal and position on screws (No. 19).
Please note: There should be a gap of approx. 2 to 5 mm between the urinal and the wall, so tension cracks can be prevented.
6. Fill the waste trap (Position B) with water.
7. Insert the stainless steel cover (Position A).
8. Pour 1 bottle uriLOCK (0.3 litre) over the cover.
9. Seal the gap between the wall and the urinal with silicone . Please Note: Do not silicone the lower tip of the urinal!
The uridan urinal is now ready for use!

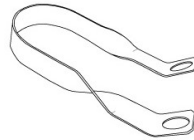
**Please leave customer care booklet, cleaning and maintenance instructions,
cleaning spray, cleaning cloth and suction device with customer.**

Installation Instructions

Parts List |



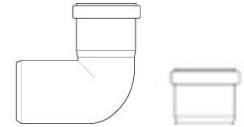
2 x screws No. 19



1 x fitting No. 15



2 x screws fitting No. 15



1 x 87° bend & adapter

Fitting Kit |



1 x uriLOCK 0.3L



1 x uriCLEAN 0.5 L



1 x uriCLOTH



1 x Cover



1 x suction device

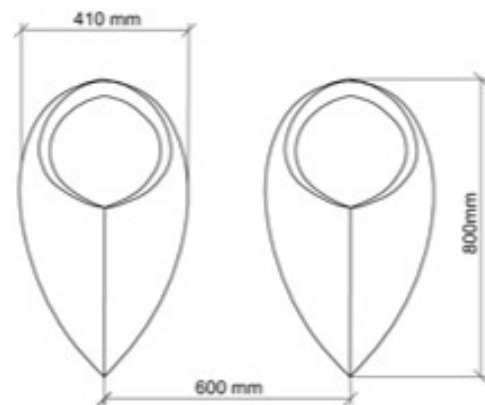
Note |

Installation of the uridan waterless urinal is very simple.

If you are retrofitting existing flushing urinals with uridan waterless urinals, please ensure that the sewer line is jetted and clean of uric scale before installation. Please also remove any existing s-trap to avoid double trapping the urinal.

The uridan urinals work without water, and must be fitted to a 65mm waste pipe. Installation should be carried out by authorized plumbers in accordance with AZ/NZS3500.2.

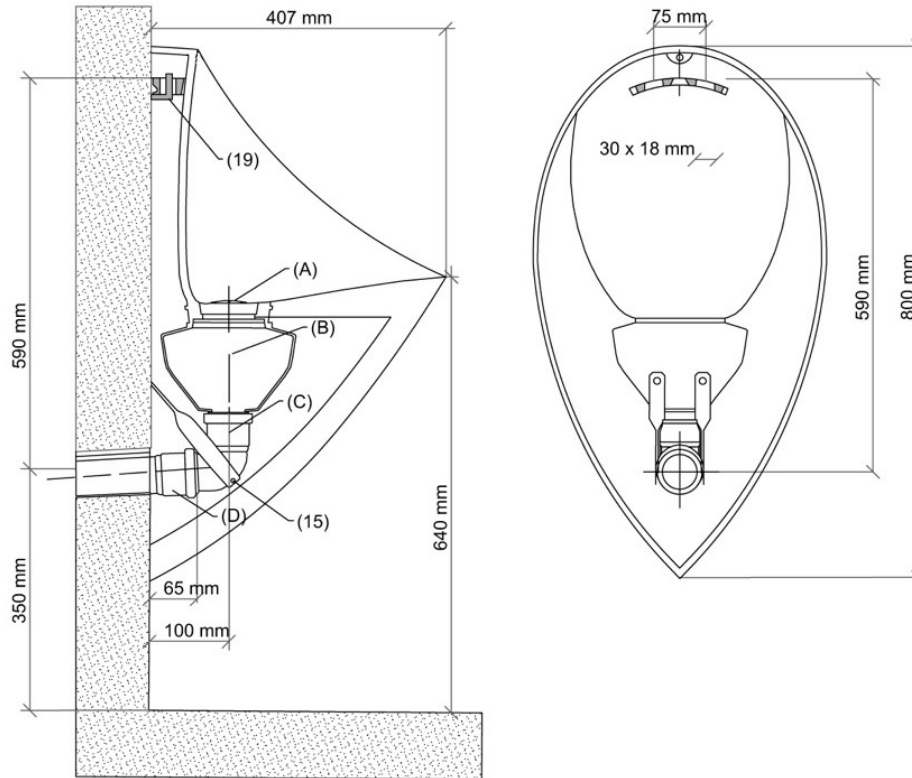
PLEASE NOTE: The undiluted discharge from a waterless urinal must not be transported through copper or copper alloy pipework.



Installation Instructions

URIDAN ADMIRAL KH-10

ceramic | horizontal waste



Installation

1. Measure the height from the center of the waste pipe and mark the holes for both special screws (No.19). Drill holes and mount brackets.
2. Insert extension pipe (Position D) on the 87 ° bend (Position C). Keep a distance of 100 mm from the wall to the middle of the pipe. If necessary, shorten the extension pipe. Place 87 ° bend with extension pipe on the drainage pipe using the uridan adapter.
3. Adjust fitting (No. 15), mark and drill holes and mount fitting (No. 15).
4. Remove the 87 ° bend with the extension pipe and place on the waste trap.
5. Place the urinal with the pipe on the outlet pipe. Lift the urinal and position on screws (No. 19).
Please note: There should be a gap of approx. 2 to 5 mm between the urinal and the wall, so tension cracks can be prevented.
6. Fill the waste trap (Position B) with water.
7. Insert the stainless steel cover (Position A).
8. Pour 1 bottle uriLOCK (0.3 litre) over the cover.
9. Seal the gap between the wall and the urinal with silicone . Please Note: Do not silicone the lower tip of the urinal!
The uridan urinal is now ready for use!

**Please leave customer care booklet, cleaning and maintenance instructions,
cleaning spray, cleaning cloth and suction device with customer.**