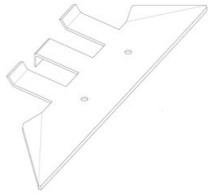


## Installation Instructions

### Parts List |



1 x fitting No. 4



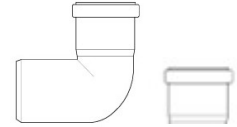
2 x screws fitting No. 4



1 x fitting No. 15

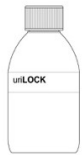


2 x screws fitting No. 15



1 x 87° bend & adapter

### Fitting Kit |



1 x uriLOCK 0.3 L



1 x uriCLEAN 0.5 L



1 x uriCLOTH



1 x Cover



1 x suction device

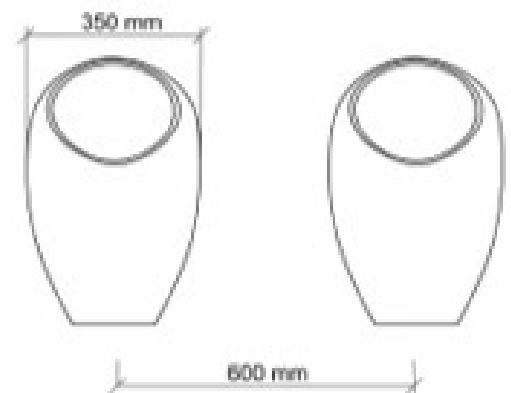
### Note |

#### Installation of the uridan waterless urinal is very simple.

If you are retrofitting existing flushing urinals with uridan waterless urinals, please ensure that the sewer line is jetted and clean of uric scale before installation. Please also remove any existing s-trap to avoid double trapping the urinal.

The uridan urinals work without water, and must be fitted to a 65mm (min) waste pipe. Installation should be carried out by authorized plumbers in accordance with AS/NZ 3500.1 and AS/NZS3500.2

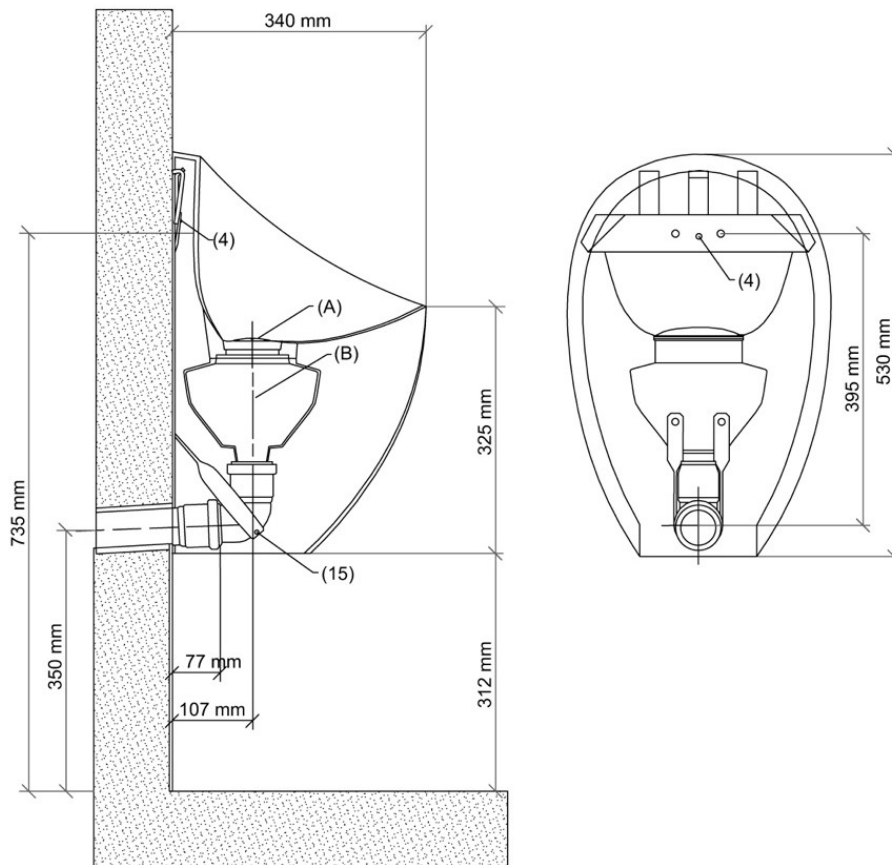
PLEASE NOTE: Refer AS/NZS 3500.2:2025 Clause 13.24.2.3 for installation limitations for undiluted discharge from a urinal.



## Installation Instructions

### CADET GHC-10

glass reinforced plastic (GRP) | horizontal



#### Installation

1. Measure distance from the floor and mark holes for fitting No. (4). Drill holes and mount fitting No. (4).
2. Install the uridan adapter to the waste pipe, connect the 87 ° bend, maintaining a distance of 107 mm from the wall to the middle of the pipe.
3. Adjust fitting No. (15), mark and drill holes, and mount fitting No. (15).
4. Hold the urinal against the wall and push firmly onto the fitting No. (4) ensuring the waste pipe connection is maintained.
5. Fill the waste trap (Position B) with water.
6. Insert the stainless steel cover (Position A).
7. Pour 1 bottle uriLOCK ( 0.3 litre) over the cover.
8. Seal the gap between the wall and the urinal with silicone.  
The uridan urinal is now ready for use!

**Please leave customer care booklet, cleaning and maintenance instructions and suction device with customer.**