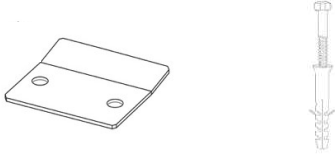


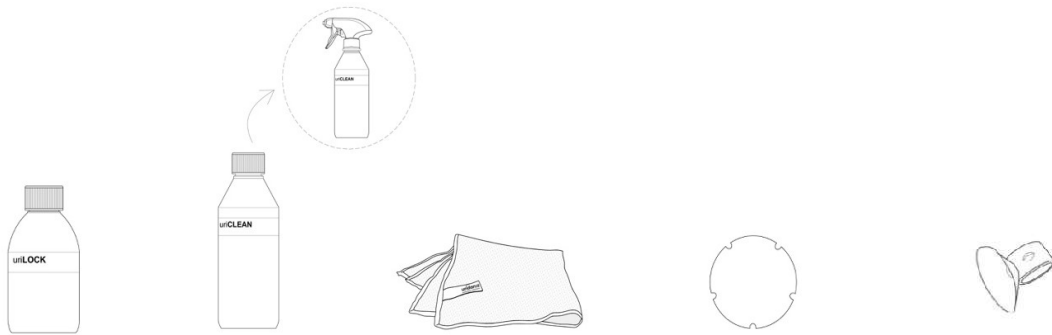
## Installation Instructions

### Parts List |



2 x fitting No. 20    4 x screws fitting No. 20

### Fitting Kit |



1 x uriLOCK 0.3 L    1 x uriCLEAN 0.5 L    1 x uriCLOTH    1 x Cover    1 x suction device

\*Toilet seat packed separately – incl. installation instructions

### Note |

**EN** If you are retrofitting existing flushing urinals with uridan waterless urinals, please ensure that the sewer line is jetted and clean of uric scale before installation. Please also remove any existing s-trap to avoid double trapping the urinal.

The uridan urinals work without water and the urinals should be fitted to a 65 mm waste pipe.

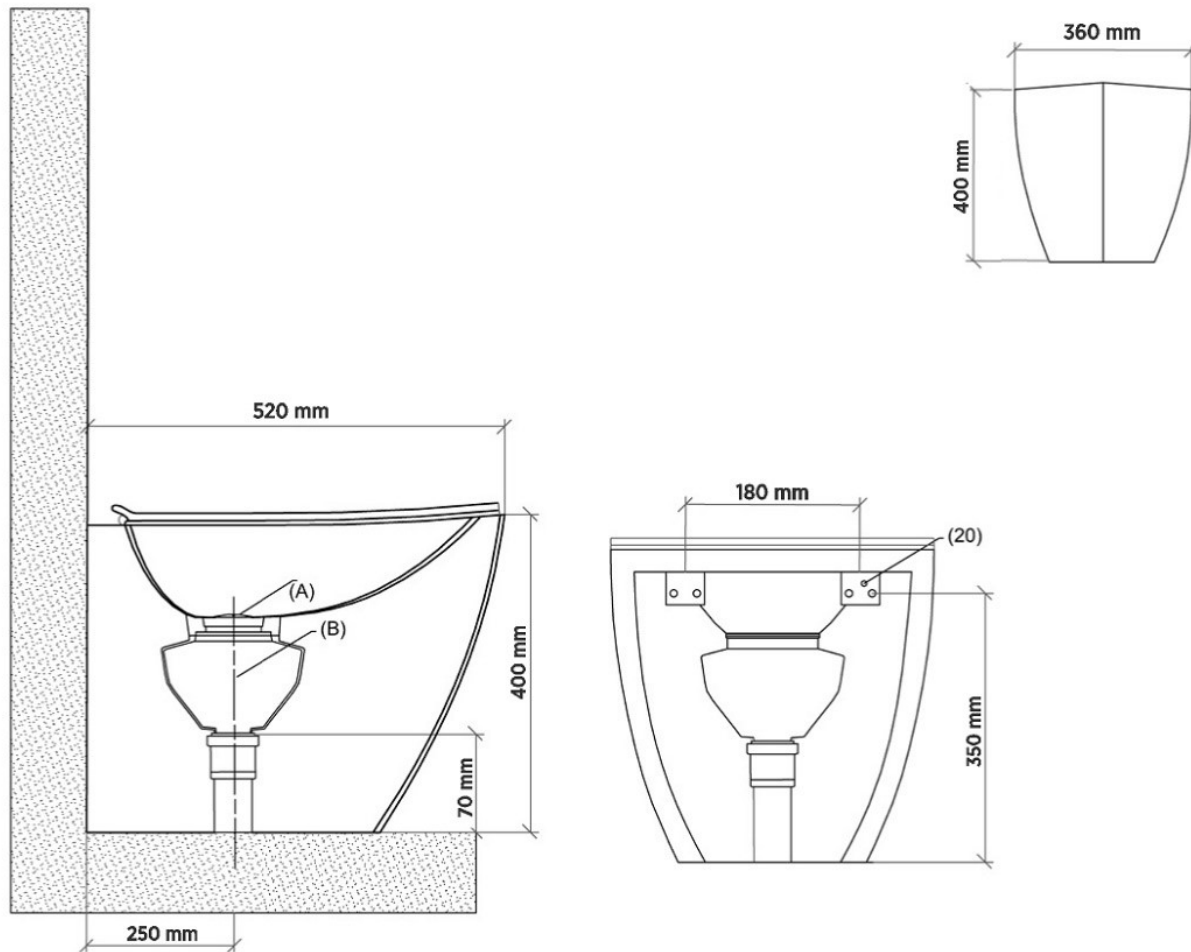
Installation should be carried out by authorized plumbers in accordance with AS/NZS3500.1 and AS/NZS3500.2.

PLEASE NOTE: Refer AS/NZA 3500.2:2025 Clause 13.24.2.3 for installation limitations for undiluted discharge from a urinal.

## Installation Instructions

### COMPASS GY-W

glass reinforced plastic (GRP) | vertical waste



### Installation

1. Mark holes for fitting No. (20) and install.
2. Hold the urinal against the wall and push firmly onto fitting No. (20). Slide the urinal down to connect to the 50mm waste outlet.
3. Fill the waste trap (Position B) with water.
4. Insert the stainless-steel cover (Position A).
5. Pour 1 bottle uriLOCK (0.3 litre) over the cover.
6. Apply silicon sealant around the edge of the urinal – between urinal wall & floor.

The uridan urinal is now ready for use!

**Please leave customer care booklet, cleaning and maintenance instructions, cleaning spray, cleaning cloth and suction device with customer.**